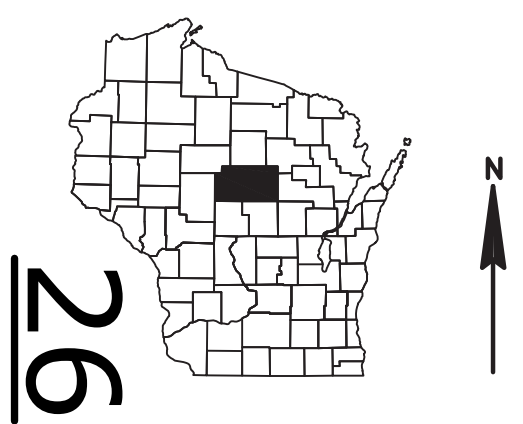


JANUARY 2019

ORDER OF SHEETS

Section No.	Title
1	1
2	2 Typical Sections and Details (Includes Erosion Control)
3	3 Estimate of Quantities
3	3 Miscellaneous Quantities
4	4 Right of Way Plat
5	5 Plan and Profile
6	6 Standard Detail Drawings
7	7 Sign Plates
8	8 Structure Plans
9	9 Computer Earthwork Data
9	9 Cross Sections

TOTAL SHEETS = 34



DESIGN DESIGNATION

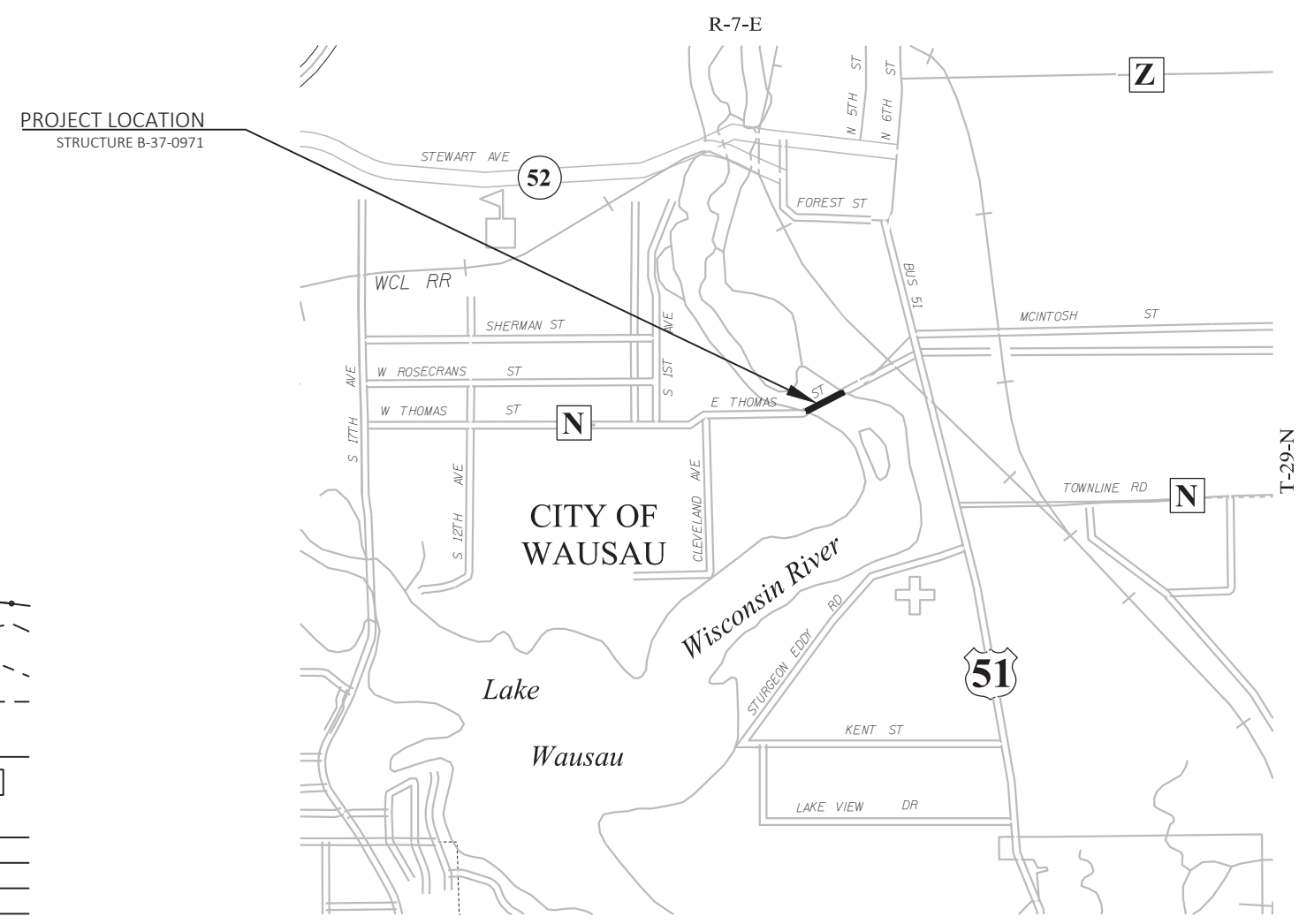
A.A.D.T.	2019	=	14,800
A.A.D.T.	2039	=	16,200
D.H.V.		=	1,850
D.D.		=	59/41
T.		=	7.3%
DESIGN SPEED		=	30 MPH
ESALS		=	N/A

CONVENTIONAL SYMBOLS

PLAN	PROFILE
CORPORATE LIMITS	GRADE LINE
PROPERTY LINE	ORIGINAL GROUND
LOT LINE	MARSH OR ROCK PROFILE (To be noted as such)
LIMITED HIGHWAY EASEMENT	SPECIAL DITCH
EXISTING RIGHT OF WAY	GRADE ELEVATION
PROPOSED OR NEW R/W LINE	CULVERT (Profile View)
SLOPE INTERCEPT	UTILITIES
REFERENCE LINE	ELECTRIC
EXISTING CULVERT	FIBER OPTIC
PROPOSED CULVERT (Box or Pipe)	GAS
COMBUSTIBLE FLUIDS	SANITARY SEWER
MARSH AREA	STORM SEWER
WOODED OR SHRUB AREA	TELEPHONE
	WATER
	UTILITY PEDESTAL
	POWER POLE
	TELEPHONE POLE

STATE OF WISCONSIN
DEPARTMENT OF TRANSPORTATION
PLAN OF PROPOSED IMPROVEMENT
C WAUSAU, EAST THOMAS STREET
STRUCTURE PAINTING B-37-0971
LOC STR
MARATHON COUNTY

STATE PROJECT NUMBER
6999-03-64



LAYOUT
SCALE 0 2 MI
TOTAL NET LENGTH OF CENTERLINE = 0.000

HORIZONTAL POSITIONS SHOWN ON THIS PLAN ARE WISCONSIN COUNTY COORDINATES, MARATHON COUNTY, NAD83 (2011), IN U.S. SURVEY FEET. VALUES ARE GRID COORDINATES, GRID BEARINGS, AND GRID DISTANCES. GRID DISTANCES MAY BE USED AS GROUND DISTANCES.
ALL ELEVATIONS ON THIS PROJECT ARE REFERENCED TO THE NORTH AMERICAN VERTICAL DATUM OF 1988 (NAVD88), 2012 ADJUSTMENT.

STATE PROJECT	FEDERAL PROJECT	
	PROJECT	CONTRACT
6999-03-64	WISC 2019084	1

emcs inc
500 North 17th Avenue
Wausau, WI 54401
715.845.1081 Fax 715.845.1099



5-16-18 (Date) *Stephanie G. Christensen* (Signature)
PROFESSIONAL ENGINEER

STATE OF WISCONSIN
DEPARTMENT OF TRANSPORTATION

PREPARED BY

Surveyor	EMCS, INC.
Designer	EMCS, INC.
Project Manager	JESSE JEFFERSON
Regional Examiner	CHERYL SIMON
Regional Supervisor	ROBIN STAFFORD

APPROVED FOR THE DEPARTMENT
DATE: 5/25/18 *J.P.R.* (Signature)

GENERAL NOTES

NO TREES OR SHRUBS ARE TO BE REMOVED WITHOUT APPROVAL OF THE ENGINEER.

THE LOCATIONS OF EXISTING AND PROPOSED UTILITY INSTALLATIONS AS SHOWN ON THE PLANS ARE APPROXIMATE. THERE MAY BE OTHER UTILITY INSTALLATIONS WITHIN THE PROJECT AREA THAT ARE NOT SHOWN.

AS-BUILTS USED FOR PLAN DEVELOPMENT

PROJECT NO: 9439-04-72, CONSTRUCTION YEAR: 2005

ORDER OF SECTION 2 SHEETS

PROJECT OVERVIEW

TRAFFIC CONTROL

UTILITIES

ELECTRIC

WISCONSIN PUBLIC SERVICE CORPORATION
CLAY VIRCKS
1700 SHERMAN ST
WAUSAU, WI 54401
(715) 848-7317
CHVIRCKS@WISCONSINPUBLICSERVICE.COM

SEWER

WAUSAU WATER WORKS
ERIC LINDMAN
407 GRANT ST
WAUSAU, WI 54403
(715) 261-6745
ERIC.LINDMAN@CI.WAUSAU.WI.US

GAS/PETROLEUM

WISCONSIN PUBLIC SERVICE CORPORATION
MIKE BOSI
1700 SHERMAN ST
WAUSAU, WI 54401
(715) 848-7471
MABOSI@WISCONSINPUBLICSERVICE.COM

ELECTRIC (STREET LIGHTING)

WAUSAU WATER WORKS
ERIC LINDMAN
407 GRANT ST
WAUSAU, WI 54403
(715) 261-6745
ERIC.LINDMAN@CI.WAUSAU.WI.US

WATER

WAUSAU WATER WORKS
ERIC LINDMAN
407 GRANT ST
WAUSAU, WI 54403
(715) 261-6745
ERIC.LINDMAN@CI.WAUSAU.WI.US

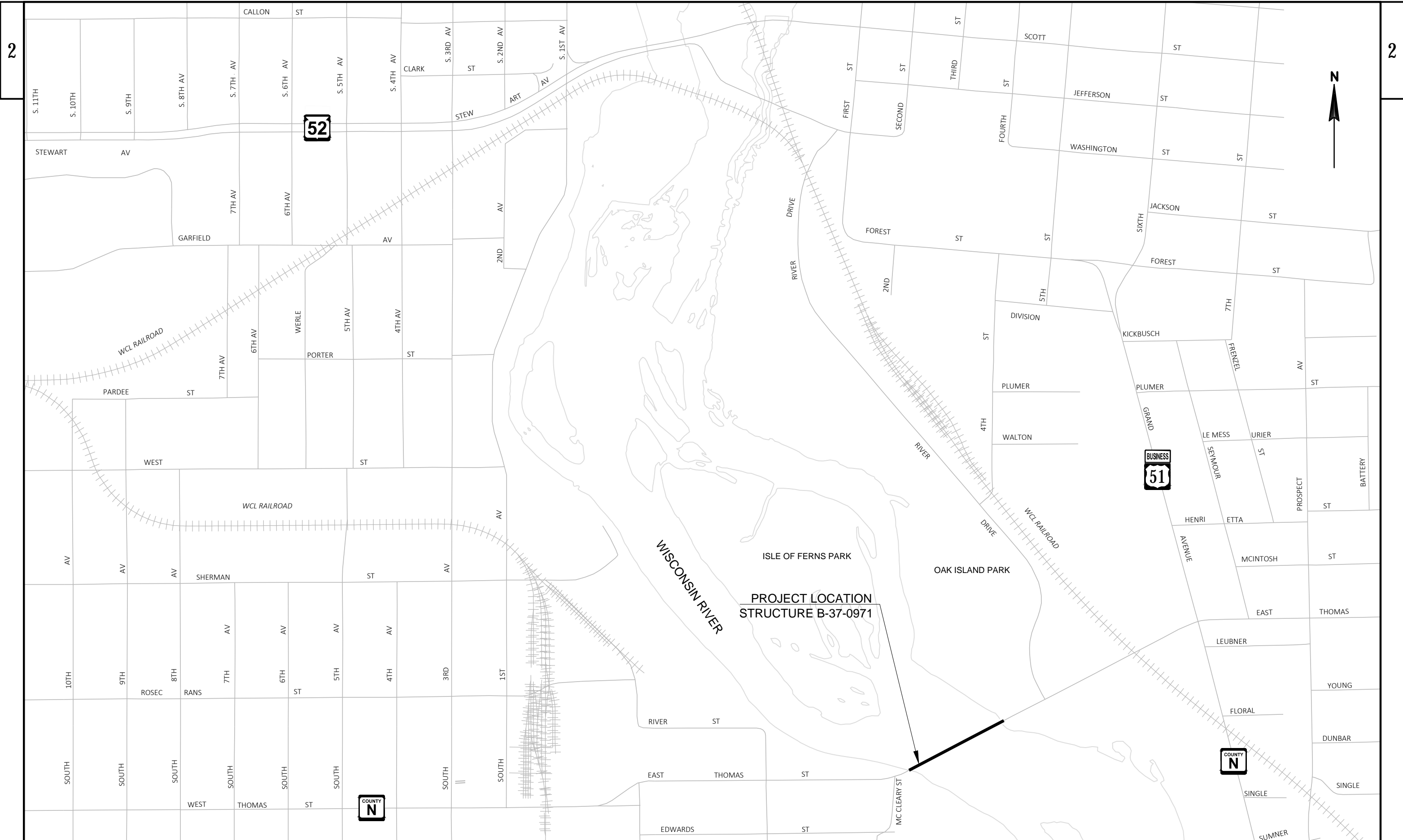


Dial **811** or (800)242-8511

www.DiggersHotline.com

DNR LIAISON

CASEY JONES
DNR WISCONSIN RAPIDS SERVICE CENTER
473 GRIFFITH DRIVE
WISCONSIN RAPIDS, WI 54494
(715) 421-7867
CASEY.JONES@WISCONSIN.GOV



2

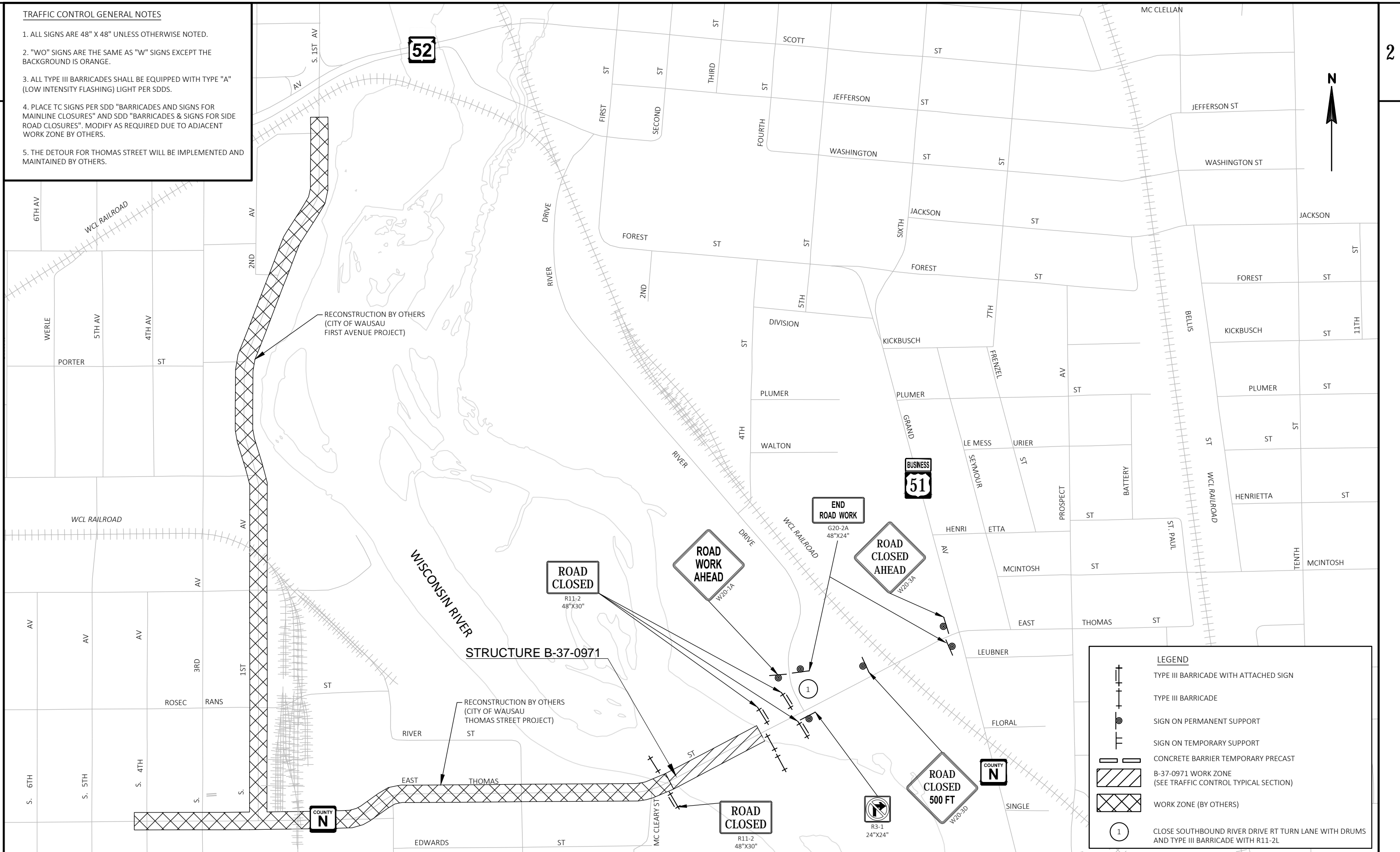
2



PROJECT NO:6999-03-64	HWY: EAST THOMAS STREET	COUNTY: MARATHON	PROJECT OVERVIEW	SHEET E
-----------------------	-------------------------	------------------	------------------	---------

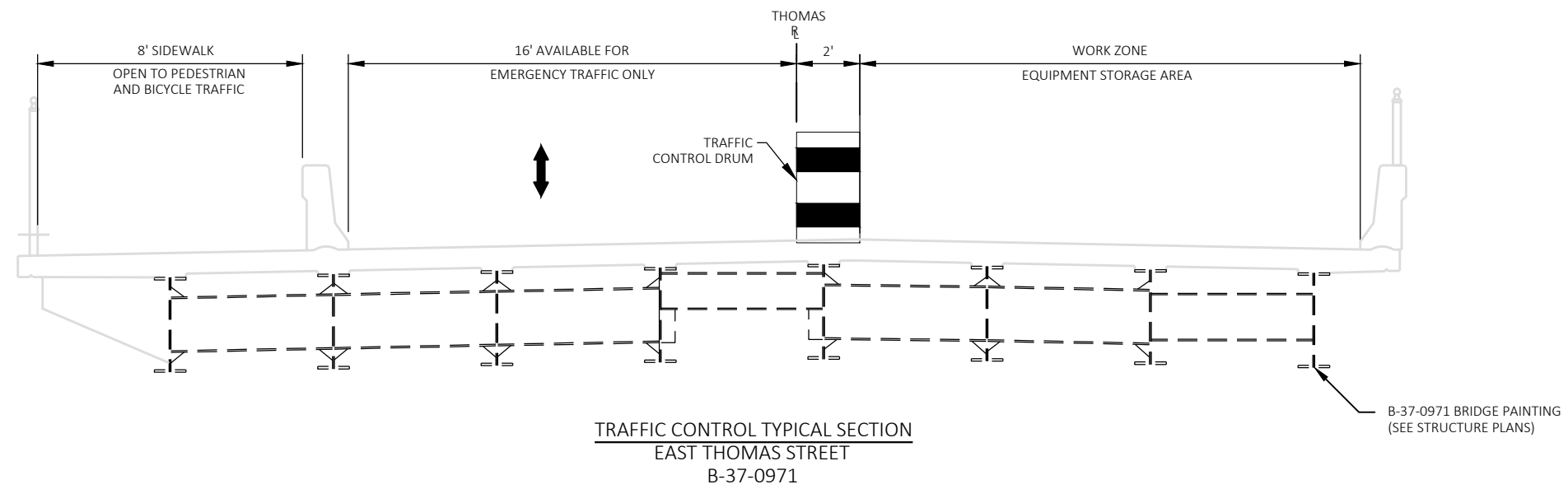
TRAFFIC CONTROL GENERAL NOTES

- 1. ALL SIGNS ARE 48" X 48" UNLESS OTHERWISE NOTED.
- 2. "WO" SIGNS ARE THE SAME AS "W" SIGNS EXCEPT THE BACKGROUND IS ORANGE.
- 3. ALL TYPE III BARRICADES SHALL BE EQUIPPED WITH TYPE "A" (LOW INTENSITY FLASHING) LIGHT PER SDDS.
- 4. PLACE TC SIGNS PER SDD "BARRICADES AND SIGNS FOR MAINLINE CLOSURES" AND SDD "BARRICADES & SIGNS FOR SIDE ROAD CLOSURES". MODIFY AS REQUIRED DUE TO ADJACENT WORK ZONE BY OTHERS.
- 5. THE DETOUR FOR THOMAS STREET WILL BE IMPLEMENTED AND MAINTAINED BY OTHERS.



LEGEND

- TYPE III BARRICADE WITH ATTACHED SIGN
- TYPE III BARRICADE
- SIGN ON PERMANENT SUPPORT
- SIGN ON TEMPORARY SUPPORT
- CONCRETE BARRIER TEMPORARY PRECAST
- B-37-0971 WORK ZONE (SEE TRAFFIC CONTROL TYPICAL SECTION)
- WORK ZONE (BY OTHERS)
- CLOSE SOUTHBOUND RIVER DRIVE RT TURN LANE WITH DRUMS AND TYPE III BARRICADE WITH R11-2L



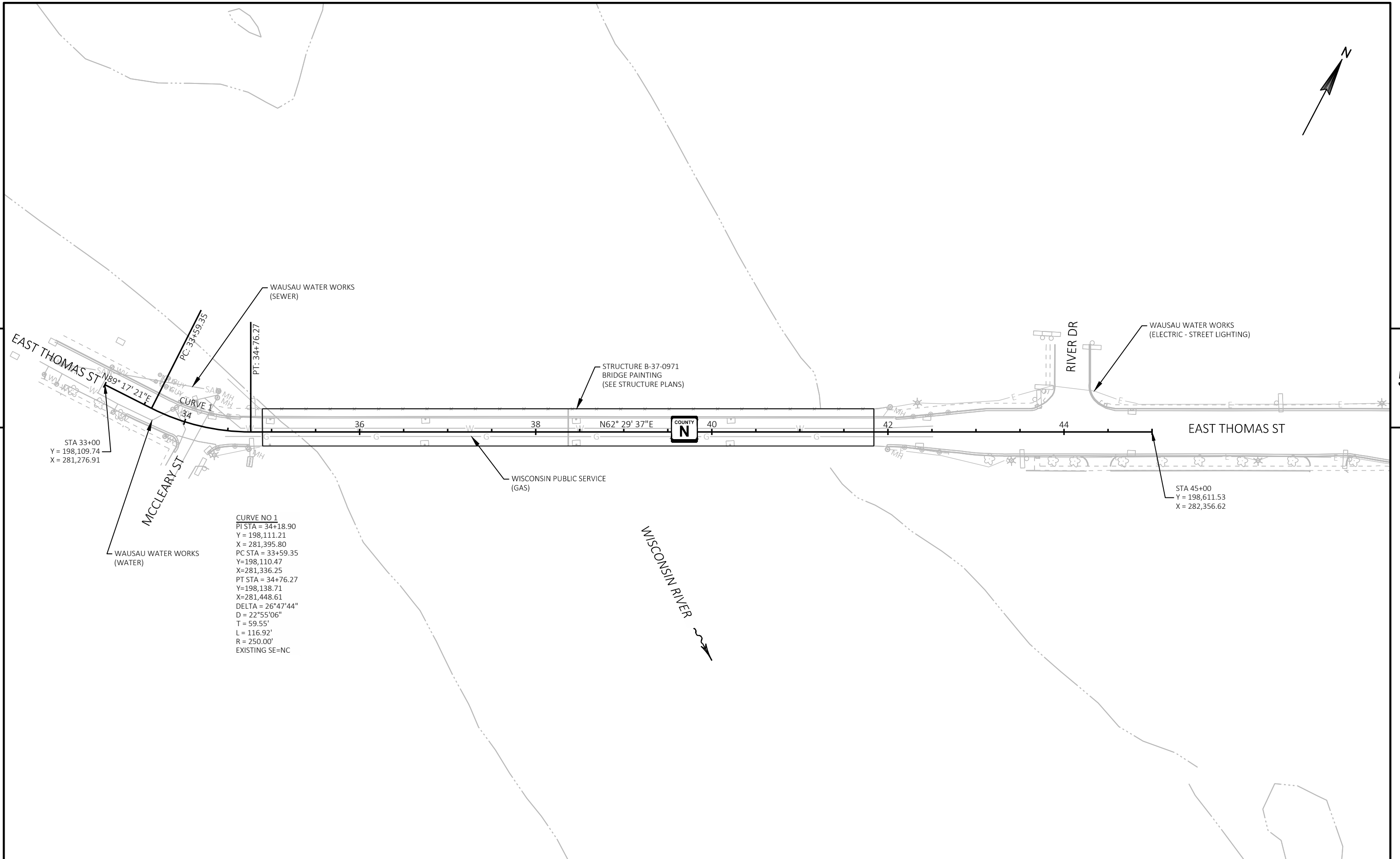
Estimate Of Quantities

6999-03-64

Line	Item	Item Description	Unit	Total	Qty
0002	213.0100	Finishing Roadway (project) 01. 6999-03-64	EACH	1.000	1.000
0004	517.1800.S	Structure Repainting Recycled Abrasive (structure) 01. B-37-971	LS	1.000	1.000
0006	517.4500.S	Negative Pressure Containment and Collection of Waste Materials (structure) 01. B-37-971	LS	1.000	1.000
0008	517.6001.S	Portable Decontamination Facility	EACH	1.000	1.000
0010	619.1000	Mobilization	EACH	1.000	1.000
0012	642.5001	Field Office Type B	EACH	1.000	1.000
0014	643.0300	Traffic Control Drums	DAY	4,500.000	4,500.000
0016	643.0420	Traffic Control Barricades Type III	DAY	900.000	900.000
0018	643.0705	Traffic Control Warning Lights Type A	DAY	1,800.000	1,800.000
0020	643.0900	Traffic Control Signs	DAY	900.000	900.000
0022	643.5000	Traffic Control	EACH	1.000	1.000
0024	ASP.1T0A	On-the-Job Training Apprentice at \$5.00/HR	HRS	1,200.000	1,200.000
0026	ASP.1T0G	On-the-Job Training Graduate at \$5.00/HR	HRS	600.000	600.000

TRAFFIC CONTROL ITEMS

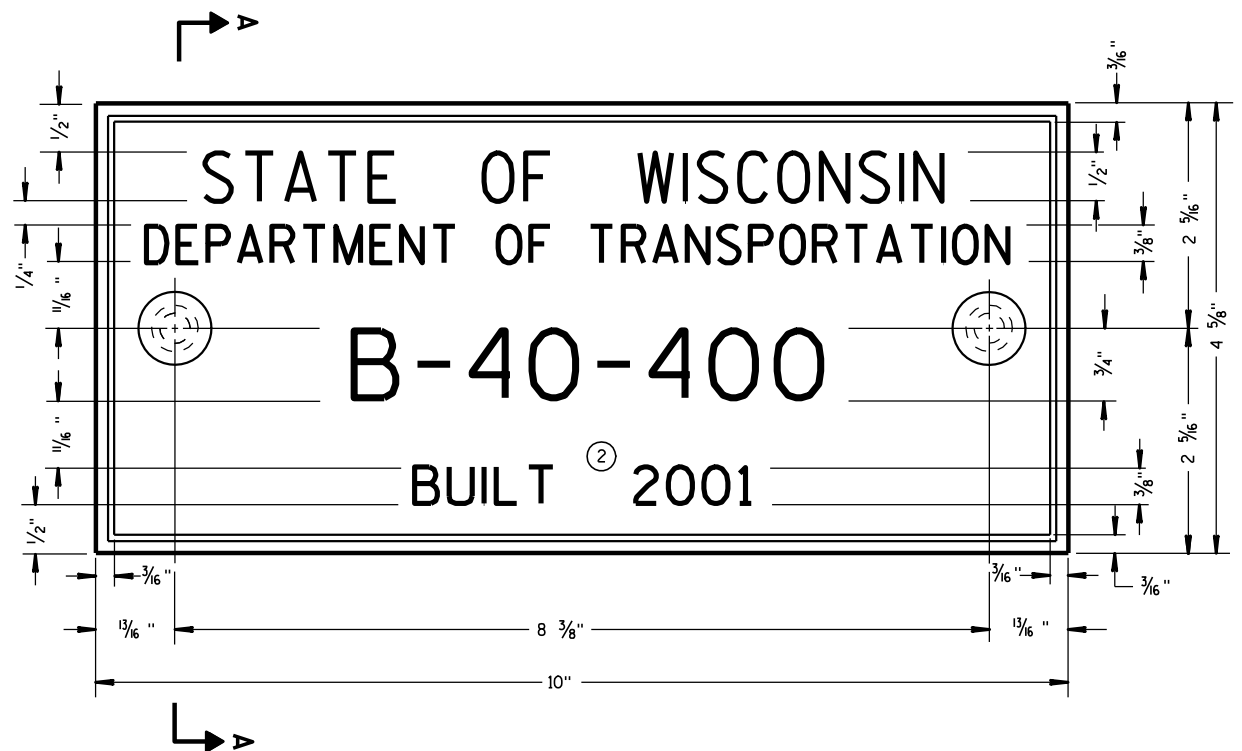
CATEGORY	LOCATION	DURATION DAYS	643.0300 TRAFFIC CONTROL DRUMS		643.0420 TRAFFIC CONTROL BARRICADES TYPE III		643.0705 TRAFFIC CONTROL WARNING LIGHTS TYPE A		643.0900 TRAFFIC CONTROL SIGNS		643.5000 TRAFFIC CONTROL
			NO.	DAY	NO.	DAY	NO.	DAY	NO.	DAY	EACH
0010	PROJECT	90	50	4,500	10	900	20	1,800	10	900	1
TOTALS				4,500		900		1,800		900	1



CURVE NO 1
 PI STA = 34+18.90
 Y = 198,111.21
 X = 281,395.80
 PC STA = 33+59.35
 Y = 198,110.47
 X = 281,336.25
 PT STA = 34+76.27
 Y = 198,138.71
 X = 281,448.61
 DELTA = 26°47'44"
 D = 22°55'06"
 T = 59.55'
 L = 116.92'
 R = 250.00'
 EXISTING SE=NC

Standard Detail Drawing List

12A03-10	NAME PLATE (STRUCTURES)
15C02-06A	BARRICADES AND SIGNS FOR MAINLINE CLOSURES
15C02-06B	BARRICADES AND SIGNS FOR MAINLINE CLOSURES
15C02-06C	DETOUR SIGNING FOR MAINLINE CLOSURES
15C03-05	BARRICADES AND SIGNS FOR SIDEROAD CLOSURES
15C11-07B	CHANNELIZING DEVICES DRUMS, CONES, BARRICADES AND VERTICAL PANELS
15D38-02A	TEMPORARY TRAFFIC CONTROL SIGN MOUNTING
15D38-02B	ATTACHMENT OF SIGNS TO POSTS



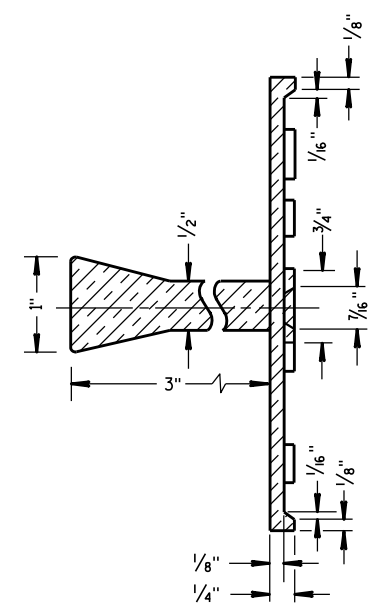
TYPICAL NAME PLATE
(BRIDGES, CULVERTS, AND RETAINING WALLS)

GENERAL NOTES

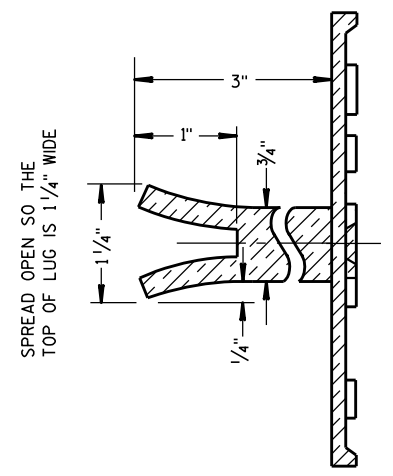
NAME PLATES TO BE INSTALLED ON BRIDGES, CULVERTS, AND RETAINING WALLS SHALL CONFORM TO THE REQUIREMENTS OF SECTION 502.3.11 OF THE STANDARD SPECIFICATIONS.

THE BRIDGE NUMBER AND YEAR BUILT SHOWN ON THIS DRAWING ARE EXAMPLES ONLY. SEE CONSTRUCTION PLANS FOR INDIVIDUAL NUMBERING AND YEAR BUILT.

- ① EPOXY RESIN SHALL BE FROM AN APPROVED MANUFACTURER AND USED IN ACCORDANCE WITH MANUFACTURER'S RECOMMENDATIONS.
- ② REHABILITATION OF AN EXISTING STRUCTURE SHOULD USE THE DATE OF ORIGINAL STRUCTURE CONSTRUCTION.



SECTION A-A



SPREAD OPEN SO THE TOP OF LUG IS 1 1/4" WIDE

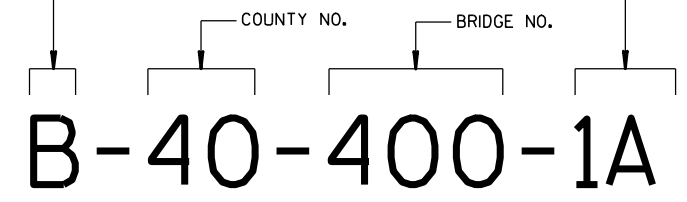
ALTERNATE LUG

6

6

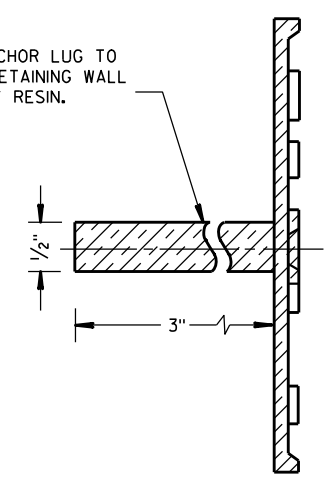
FOR MULTI-UNIT STRUCTURES
LINE 3 ABOVE SHALL READ

- B = BRIDGE
- C = CULVERT
- R = RETAINING WALL
- UNIT NO. FOR MULTIPLE UNIT BRIDGE



**NUMBERING DESIGNATION
MULTI-UNIT STRUCTURES**

- ① ADHERE ANCHOR LUG TO PRECAST RETAINING WALL WITH EPOXY RESIN.

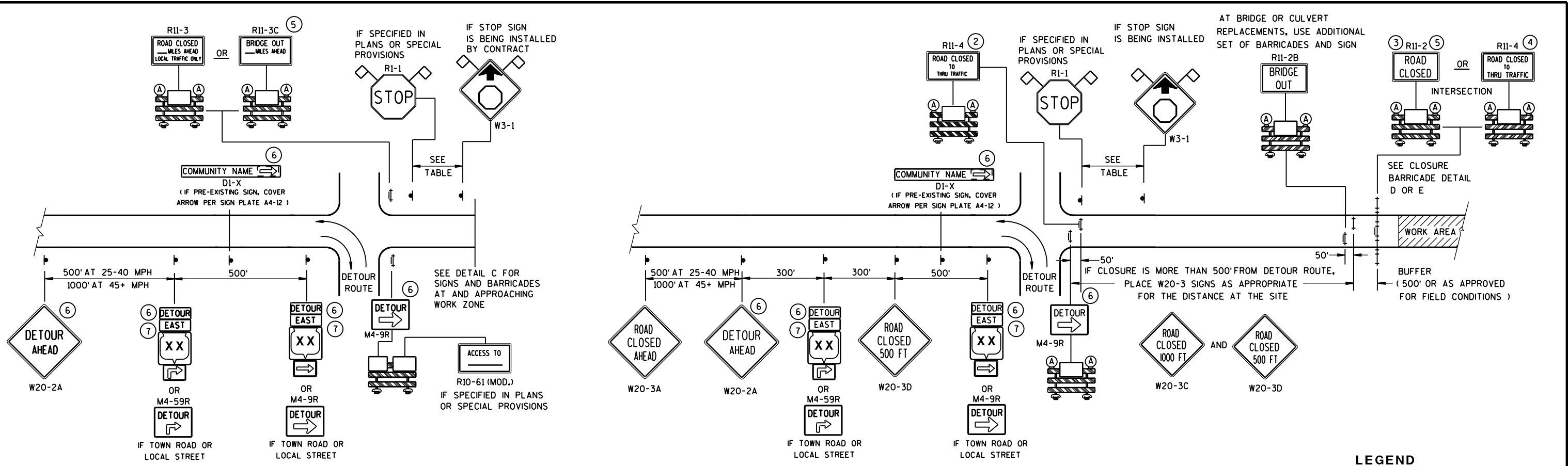


ALTERNATE LUG
(FOR ATTACHMENT TO PRECAST STRUCTURES)

S.D.D. 12 A 3-10

S.D.D. 12 A 3-10

NAME PLATE (STRUCTURES)	
STATE OF WISCONSIN DEPARTMENT OF TRANSPORTATION	
APPROVED DATE 3/26/10	/S/ Scot Becker CHIEF STRUCTURAL DEVELOPMENT ENGINEER
FHWA	

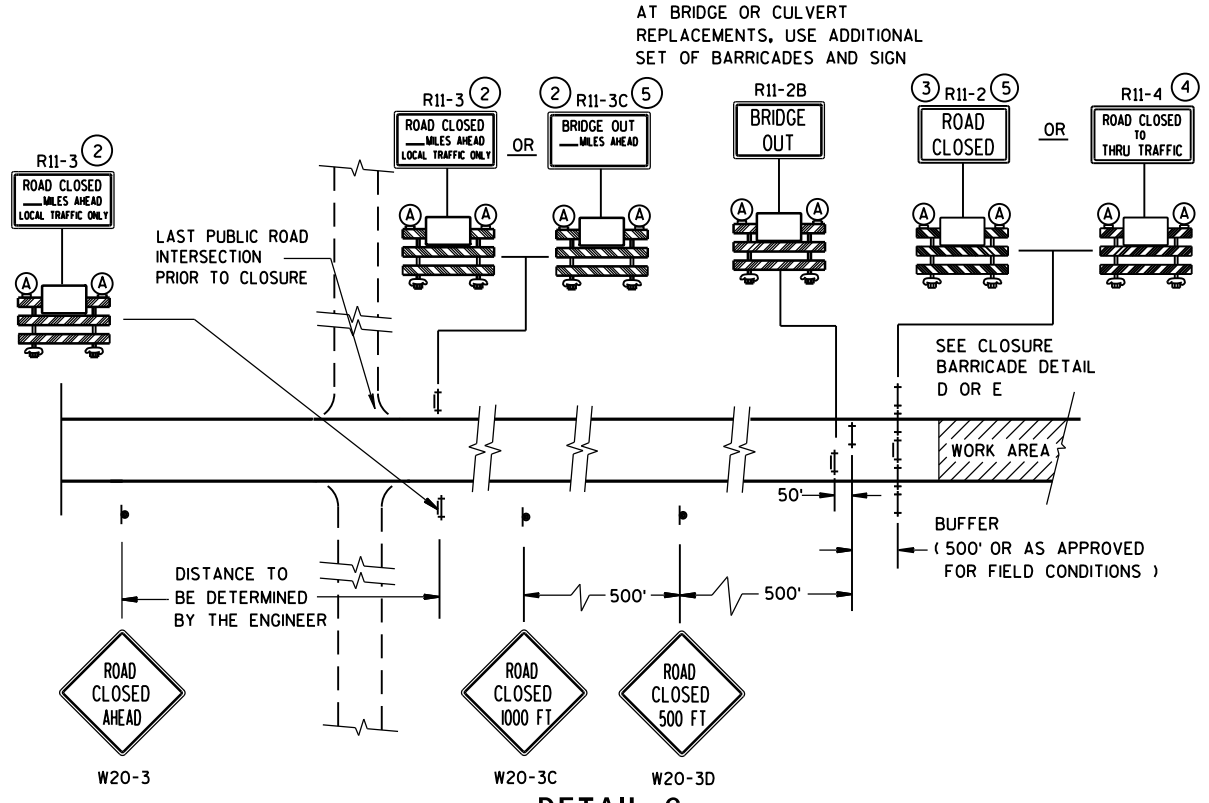


DETAIL A
MAINLINE CLOSURE WITH POSTED DETOUR
 WORK ZONE GREATER THAN 1/2 MILE FROM DETOUR ROUTE (1000 FEET IF URBAN)

DETAIL B
MAINLINE CLOSURE WITH POSTED DETOUR
 WORK ZONE LESS THAN 1/2 MILE FROM DETOUR ROUTE (1000 FEET IF URBAN)

- LEGEND**
- ⊙ SIGN ON PERMANENT SUPPORT
 - ⊥ TYPE III BARRICADE
 - ⊥ TYPE III BARRICADE WITH ATTACHED SIGN
 - Ⓐ TYPE "A" WARNING LIGHT (FLASHING)
 - ▨ WORK AREA
 - DETOUR EAST M4-8 OR M3-X
 - XX OR COUNTY XX OR XX M1-4 OR M1-5A OR M1-6
 - MO5-1 OR MO6-1
 - ◇ FLAGS, 16" X 16" MIN., (ORANGE)

SPEED LIMIT (MPH)	"STOP AHEAD" ADVANCE WARNING DISTANCE (FT)
25	200
30	200
35	350
40	350
45	500
50	550
55	750



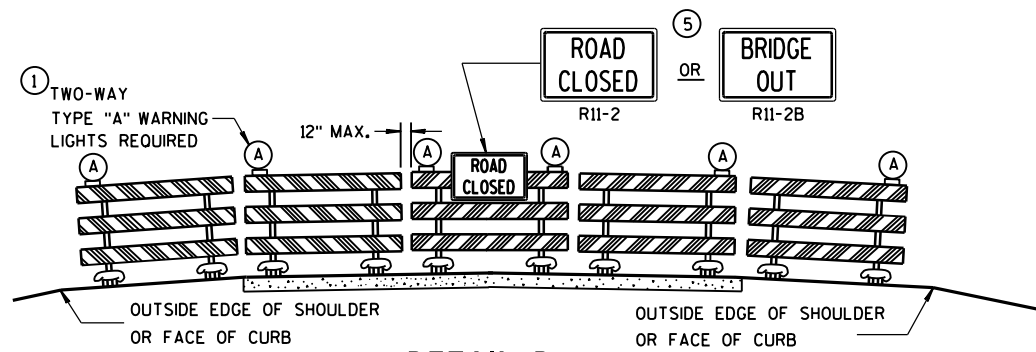
DETAIL C
MAINLINE CLOSURE, NO POSTED DETOUR

SEE SDD 15C2-SHEET "b"
 FOR GENERAL NOTES
 AND FOOTNOTES ① THROUGH ⑦

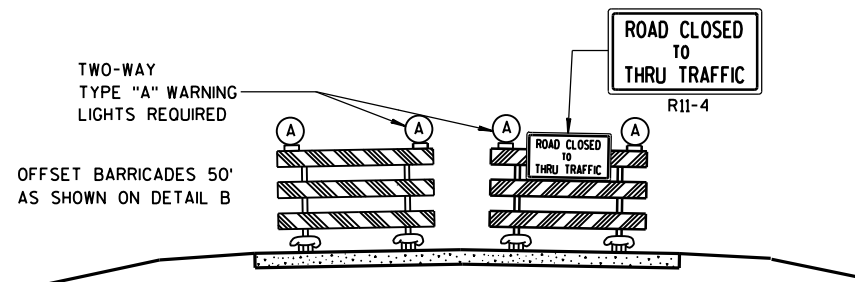
BARRICADES AND SIGNS FOR MAINLINE CLOSURES

STATE OF WISCONSIN
 DEPARTMENT OF TRANSPORTATION

Sept. 2015 /S/ Peter Amakobe Atepe
 DATE STATEWIDE WORK ZONE TRAFFIC SAFETY ENGINEER
 FHWA



DETAIL D
ROAD CLOSURE BARRICADE DETAIL
APPROACH VIEW



DETAIL E
LANE CLOSURE BARRICADE DETAIL
APPROACH VIEW

SEE SDD 15C2-SHEET "a" FOR LEGEND

GENERAL NOTES

THE EXACT NUMBER, LOCATION, AND SPACING OF ALL SIGNS AND BARRICADES SHALL BE ADJUSTED TO FIT FIELD CONDITIONS AS APPROVED BY THE ENGINEER.

ANY SIGNS TEMPORARY OR EXISTING, WHICH CONFLICT WITH TRAFFIC CONTROL "IN USE" SHALL BE REMOVED OR COVERED AS NEEDED AND AS APPROVED BY THE ENGINEER.

THE SPACING BETWEEN TRAFFIC CONTROL SIGNS SHOULD BE ADJUSTED TO NOT CONFLICT WITH AND SHOULD PROVIDE A DESIRABLE MINIMUM OF 200 FEET CLEARANCE TO EXISTING SIGNS THAT WILL REMAIN IN PLACE.

BARRICADES THAT MUST BE MOVED FOR A WORK OPERATION SHALL BE IMMEDIATELY RE-ESTABLISHED UPON COMPLETION OF THE OPERATION OR, FOR CONTINUING OPERATIONS, AT THE END OF EACH WORKING DAY.

SIGNS THAT WILL BE IN PLACE LESS THAN 7 CONTINUOUS DAYS AND NIGHTS MAY BE MOUNTED ON PORTABLE SUPPORTS.

ALL TYPE III BARRICADES SHALL HAVE RAILS REFLECTORIZED ON BOTH FACES. STRIPES SHALL BE PROPERLY SLOPED DOWN TOWARD THE TRAFFIC SIDE OR AS SHOWN IN THE ROAD CLOSURE BARRICADE DETAIL D FOR FULL ROAD CLOSURES.

TYPE "A" LOW-INTENSITY FLASHING WARNING LIGHTS SHALL BE VISIBLE ON BOTH SIDES OF THE BARRICADE.

THE R11-2, R11-3, M4-9, R11-4 AND R10-61 SIGNS PLACED ON BARRICADES SHALL COVER NO MORE THAN THE TOP RAIL. THE SIGNS SHALL NOT COVER ANY PORTION OF THE MIDDLE OR BOTTOM RAILS.

"WO AND "MO" SIGNS ARE THE SAME AS "W" AND "M" SIGNS EXCEPT THE BACKGROUND IS ORANGE.

ALL SIGNS SHALL BE 48" X 48" UNLESS OTHERWISE NOTED BELOW:

R11-2 SHALL BE 48" X 30".

R11-3, R11-4 AND R10-61 SHALL BE 60" X 30".

M4-9 SHALL BE 30" X 24".

M3-X SHALL BE 24" X 12". (36" X 18" IF NEEDED TO MATCH EXISTING SIGNS.)

M4-8 SHALL BE 24" X 12". (30" X 15" IF NEEDED TO MATCH EXISTING SIGNS.)

M1-4, M1-5A, AND M1-6 SHALL BE 24" X 24". (36" X 36" IF NEEDED TO MATCH EXISTING SIGNS.)

M05-1 AND M06-1 SHALL BE 21" X 21". (30" X 30" IF NEEDED TO MATCH EXISTING SIGNS.)

D1-X SHALL BE AS SHOWN ON SPECIFIC PROJECT SIGNING DETAIL SHEETS.

R1-1 SHALL BE 36" X 36".

- ① TWO WARNING LIGHTS SHALL BE PROVIDED ON THE CENTER BARRICADE AND A MINIMUM OF ONE WARNING LIGHT SHALL BE PROVIDED ON EACH OF THE OTHER BARRICADES WITHIN THE ROADWAY LIMITS. SPACING OF THE WARNING LIGHTS SHALL BE UNIFORM TO THE EDGE OF ROADWAY AS SHOWN (APPROX. 8-FOOT LIGHT SPACING).
- ② THESE SIGNS AND BARRICADES ARE NOT REQUIRED IF ROAD CLOSURE BEGINS AT INTERSECTION.
- ③ FOR ROAD CLOSURE WITHOUT LOCAL ACCESS TO PROJECT, SEE ROAD CLOSURE BARRICADE DETAIL D.
- ④ FOR ROAD CLOSURE WITH LOCAL ACCESS TO PROJECT, SEE LANE CLOSURE BARRICADE DETAIL E.
- ⑤ FOR BRIDGE OR CULVERT REPLACEMENTS, SUBSTITUTE "BRIDGE OUT" INSTEAD OF "ROAD CLOSED" ON R11-2 AND R11-3 SIGNS.
- ⑥ INSTALL DETOUR AND COMMUNITY GUIDE SIGNS AND ARROWS ONLY IF SPECIFIED IN THE CONTRACT. IF THERE ARE EXISTING ROUTE MARKER ASSEMBLIES THAT WILL REMAIN IN PLACE, ADJUST THE LOCATION OF THE DETOUR ROUTE SIGNS TO CORRESPOND WITH THE EXISTING ASSEMBLIES. MODIFY EXISTING SIGNS WHERE POSSIBLE. SEE SPECIFIC PROJECT DETOUR SIGNING DETAIL SHEETS. IF DETOUR SIGNS ARE BEING INSTALLED BY OTHERS, PLACE THE CONTRACTED TRAFFIC CONTROL SIGNS TO ALLOW FOR PLACEMENT OF ALL WARNING, DETOUR AND GUIDE SIGNS AS SHOWN.
- ⑦ "EAST" CARDINAL DIRECTION MARKERS AND RIGHT TURN ARROWS ARE SHOWN. USE OTHER CARDINAL DIRECTIONS AND ARROWS AS APPROPRIATE.

BARRICADES AND SIGNS FOR MAINLINE CLOSURES	
STATE OF WISCONSIN DEPARTMENT OF TRANSPORTATION	
Sept. 2015 DATE	/S/ Peter Amokobe Atepe STATEWIDE WORK ZONE TRAFFIC SAFETY ENGINEER
FHWA	

THIS DRAWING PROVIDES GENERAL GUIDANCE ON TYPICAL DETOUR SIGN LAYOUT AND SPACING. SEE PROJECT DETOUR SIGNING SHEETS FOR SPECIFIC DETAILS FOR EACH PROJECT.

GENERAL NOTES

THE EXACT NUMBER, LOCATION AND SPACING OF ALL SIGNS SHALL BE ADJUSTED TO FIT FIELD CONDITIONS AS APPROVED BY THE ENGINEER.
 IF THERE ARE EXISTING ROUTE MARKER ASSEMBLIES THAT WILL REMAIN IN PLACE, ADJUST THE LOCATION OF THE DETOUR ROUTE SIGNS TO CORRESPOND WITH THE EXISTING ASSEMBLIES. SEE SPECIFIC PROJECT DETOUR SIGNING DETAIL SHEETS. MODIFY EXISTING SIGNS WHERE POSSIBLE.

THE SPACING BETWEEN TRAFFIC CONTROL AND DETOUR SIGNS SHOULD BE ADJUSTED TO NOT CONFLICT WITH AND TO PROVIDE A DESIRABLE MINIMUM OF 200 FEET CLEARANCE TO EXISTING SIGNS THAT WILL REMAIN IN PLACE.

ANY SIGNS TEMPORARY OR EXISTING, WHICH CONFLICT WITH TRAFFIC CONTROL "IN USE", SHALL BE REMOVED OR COVERED AS NEEDED AND AS APPROVED BY THE ENGINEER.

SIGNS THAT WILL BE IN PLACE LESS THAN 7 CONTINUOUS DAYS AND NIGHTS MAY BE MOUNTED ON PORTABLE SUPPORTS.

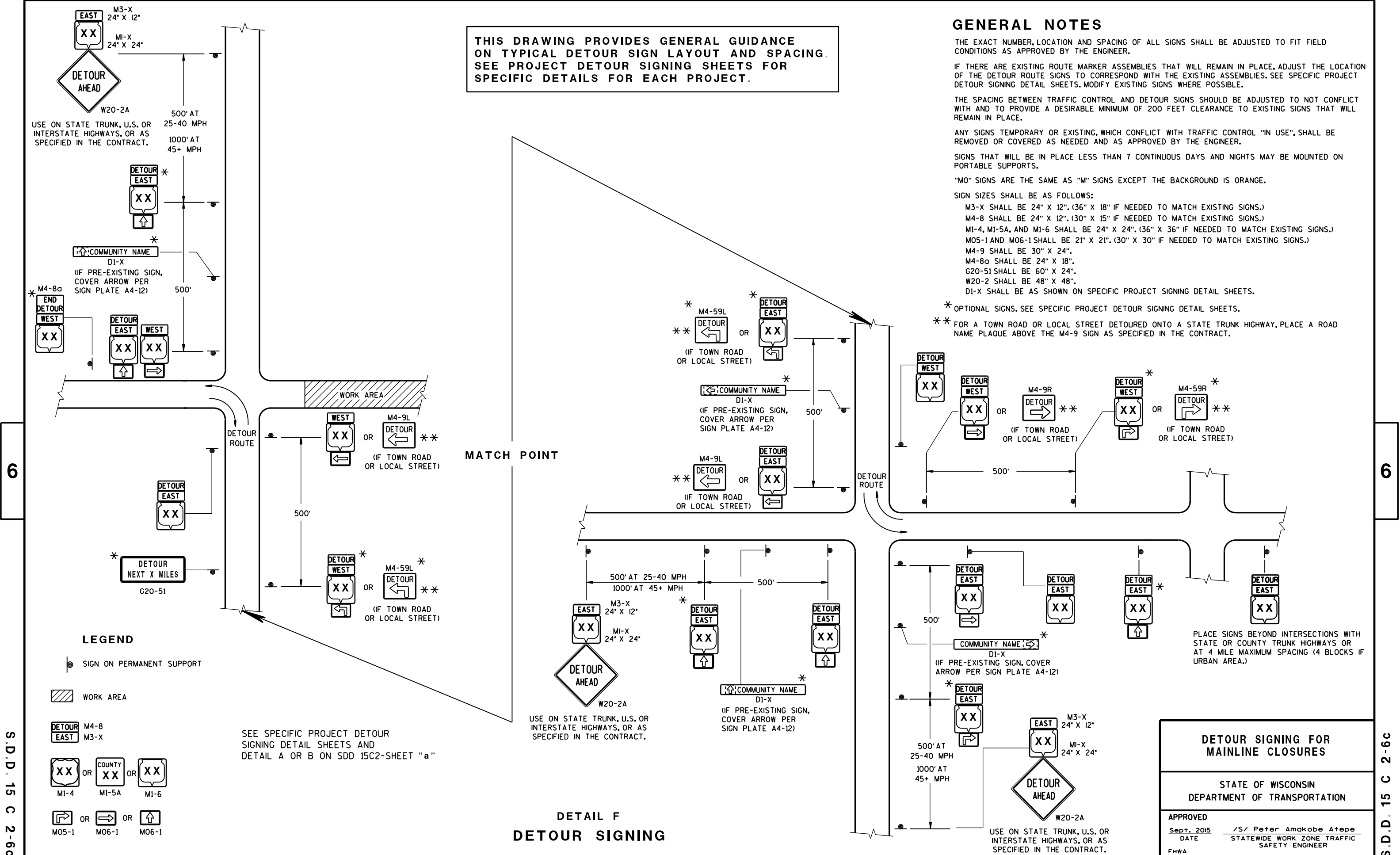
"MO" SIGNS ARE THE SAME AS "M" SIGNS EXCEPT THE BACKGROUND IS ORANGE.

SIGN SIZES SHALL BE AS FOLLOWS:

- M3-X SHALL BE 24" X 12". (36" X 18" IF NEEDED TO MATCH EXISTING SIGNS.)
- M4-8 SHALL BE 24" X 12". (30" X 15" IF NEEDED TO MATCH EXISTING SIGNS.)
- M1-4, M1-5A, AND M1-6 SHALL BE 24" X 24". (36" X 36" IF NEEDED TO MATCH EXISTING SIGNS.)
- M05-1 AND M06-1 SHALL BE 21" X 21". (30" X 30" IF NEEDED TO MATCH EXISTING SIGNS.)
- M4-9 SHALL BE 30" X 24".
- M4-8a SHALL BE 24" X 18".
- G20-51 SHALL BE 60" X 24".
- W20-2 SHALL BE 48" X 48".
- D1-X SHALL BE AS SHOWN ON SPECIFIC PROJECT SIGNING DETAIL SHEETS.

* OPTIONAL SIGNS. SEE SPECIFIC PROJECT DETOUR SIGNING DETAIL SHEETS.

** FOR A TOWN ROAD OR LOCAL STREET DETOURED ONTO A STATE TRUNK HIGHWAY, PLACE A ROAD NAME PLAQUE ABOVE THE M4-9 SIGN AS SPECIFIED IN THE CONTRACT.



6

6

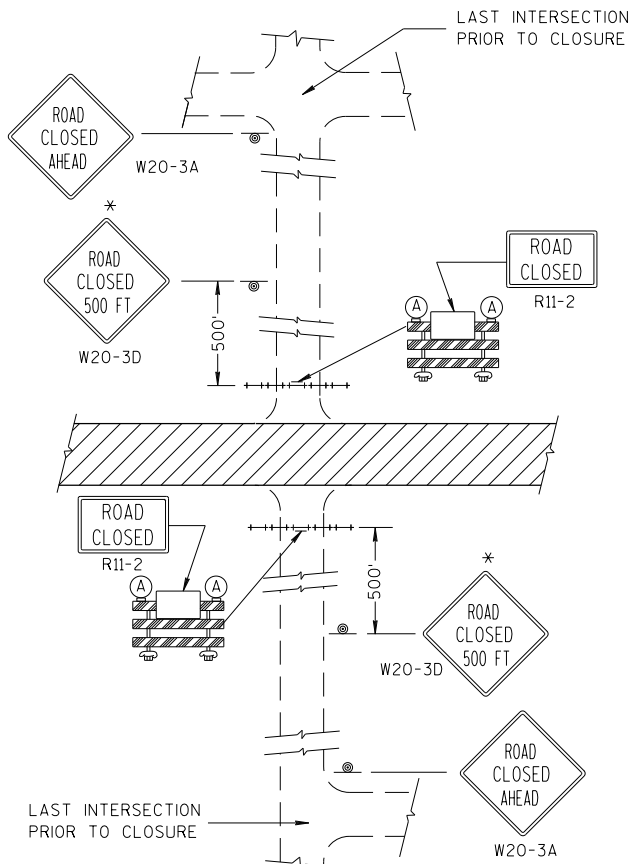
S.D.D. 15 C 2-6C

S.D.D. 15 C 2-6C

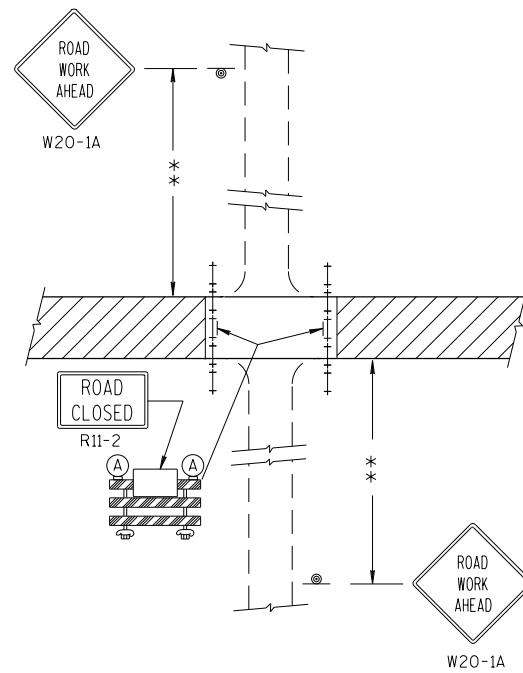
SEE SPECIFIC PROJECT DETOUR SIGNING DETAIL SHEETS AND DETAIL A OR B ON SDD 15C2-SHEET "a"

**DETAIL F
DETOUR SIGNING**

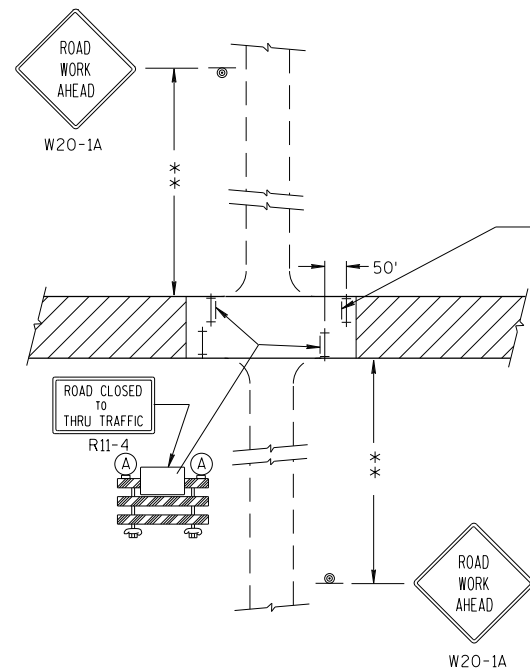
DETOUR SIGNING FOR MAINLINE CLOSURES	
STATE OF WISCONSIN DEPARTMENT OF TRANSPORTATION	
APPROVED	
Sept. 2015 DATE	/s/ Peter Amakobe Atepe STATEWIDE WORK ZONE TRAFFIC SAFETY ENGINEER
FHWA	



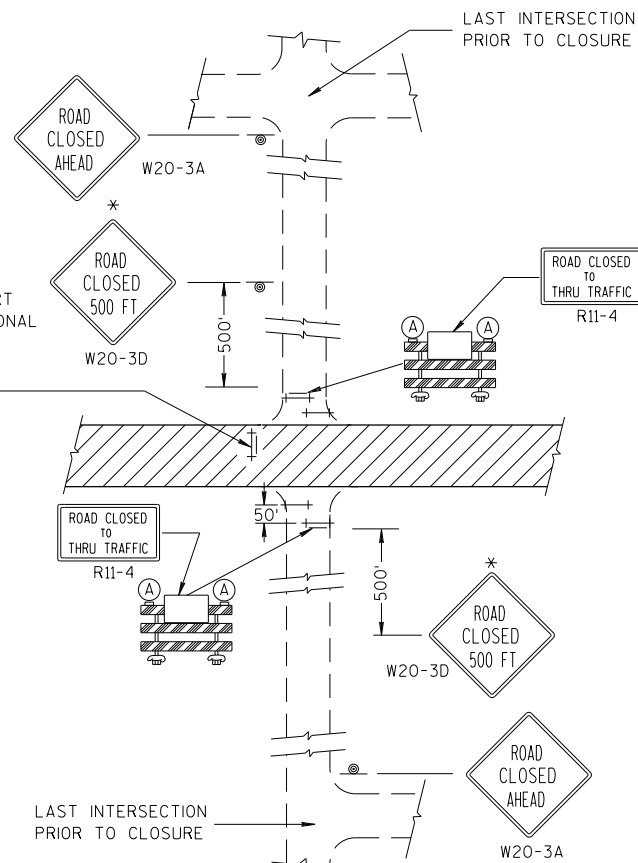
DETAIL 1
(NO ACCESS TO PROJECT)



DETAIL 2
(PUBLIC CROSS-TRAFFIC MAINTAINED,
NO ACCESS TO PROJECT).



DETAIL 3
(PUBLIC CROSS-TRAFFIC MAINTAINED, CONTRACTOR,
LOCAL BUSINESS AND RESIDENT ACCESS).



DETAIL 4
(CONTRACTOR, LOCAL BUSINESS AND
RESIDENT ACCESS TO PROJECT)

GENERAL NOTES

THE EXACT NUMBER, LOCATION, AND SPACING OF ALL SIGNS AND BARRICADES SHALL BE ADJUSTED TO FIT FIELD CONDITIONS AS APPROVED BY THE ENGINEER.

ANY SIGNS TEMPORARY OR EXISTING, WHICH CONFLICT WITH TRAFFIC CONTROL "IN USE" SHALL BE REMOVED OR COVERED AS NEEDED AND AS APPROVED BY THE ENGINEER.

THE SPACING BETWEEN TRAFFIC CONTROL SIGNS SHOULD BE ADJUSTED TO NOT CONFLICT WITH AND SHOULD PROVIDE A DESIRABLE MINIMUM OF 200 FEET CLEARANCE TO EXISTING SIGNS THAT WILL REMAIN IN PLACE.

IF A "STOP" SIGN MUST BE REMOVED FOR A WORK OPERATION, A TEMPORARY "STOP" SIGN SHALL BE PLACED PRIOR TO THE SIGN REMOVAL, OR A FLAGGER SHALL BE PROVIDED UNTIL THE SIGN IS RE-ESTABLISHED.

BARRICADES THAT MUST BE MOVED FOR A WORK OPERATION SHALL BE IMMEDIATELY RE-ESTABLISHED UPON COMPLETION OF THE OPERATION OR, FOR CONTINUING OPERATIONS, AT THE END OF EACH WORKING DAY.

SIGNS THAT WILL BE IN PLACE LESS THAN 7 CONTINUOUS DAYS AND NIGHTS MAY BE MOUNTED ON PORTABLE SUPPORTS.

ALL TYPE III BARRICADES SHALL HAVE RAILS REFLECTORIZED ON BOTH FACES. STRIPES SHALL BE PROPERLY SLOPED DOWN TOWARD THE TRAFFIC SIDE OR AS SHOWN IN THE ROAD CLOSURE BARRICADE DETAIL D FOR FULL ROAD CLOSURES.

TYPE "A" LOW-INTENSITY FLASHING WARNING LIGHTS SHALL BE VISIBLE ON BOTH SIDES OF THE BARRICADE.

THE R11-2, R11-3 AND R11-4 SIGNS PLACED ON BARRICADES SHALL COVER NO MORE THAN THE TOP RAIL. THE SIGNS SHALL NOT COVER ANY PORTION OF THE MIDDLE OR BOTTOM RAILS.

ALL SIGNS SHALL BE 48" X 48" UNLESS OTHERWISE NOTED BELOW:

R11-2 SHALL BE 48" X 30".

R11-4 AND R11-3 SHALL BE 60" X 30".

*OMIT THE "ROAD CLOSED 500 FT." SIGN IF THE LAST INTERSECTION IS 500 FT. OR LESS FROM THE WORK ZONE.

**500' MAX. OR AT LAST INTERSECTION WHICHEVER IS CLOSER.

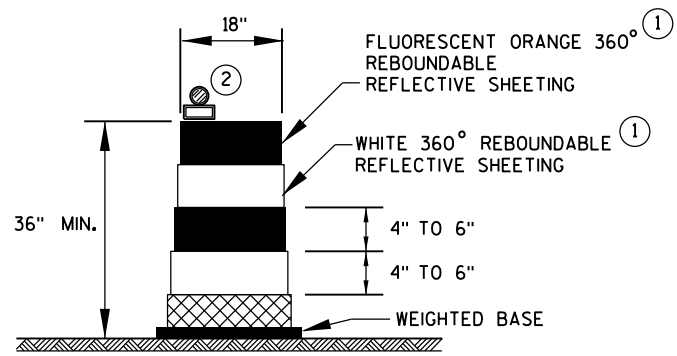
LEGEND

- ⊙ SIGN ON PERMANENT SUPPORT
- TYPE III BARRICADE
- TYPE III BARRICADE WITH ATTACHED SIGN
- (A) TYPE "A" WARNING LIGHT (FLASHING)
- ▨ WORK AREA

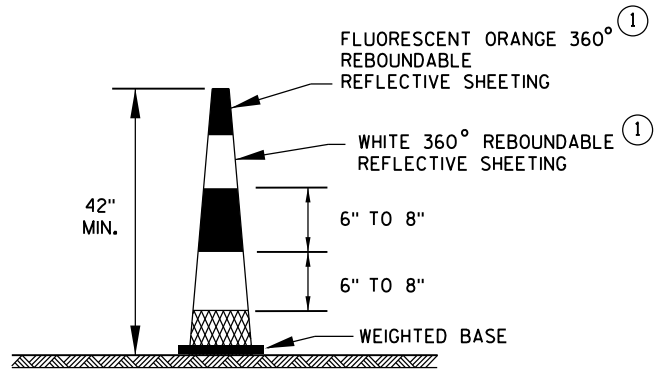
**BARRICADES AND SIGNS
FOR
SIDEROAD CLOSURES**

STATE OF WISCONSIN
DEPARTMENT OF TRANSPORTATION

APPROVED
DATE 7/2018 /S/ Andrew Heidtke
WORK ZONE ENGINEER
FHWA



DRUM

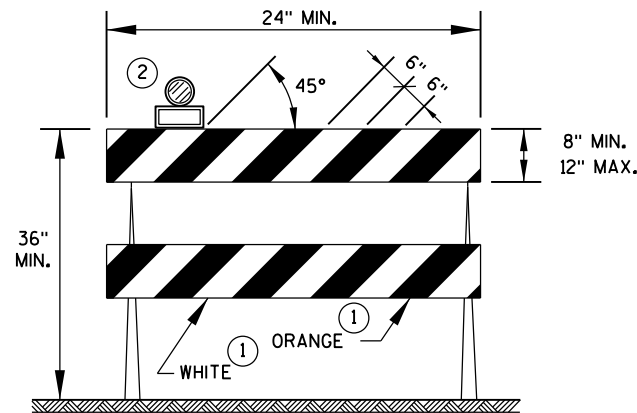


42" CONE

DO NOT USE IN TAPERS
 1/2 SPACING OF DRUMS

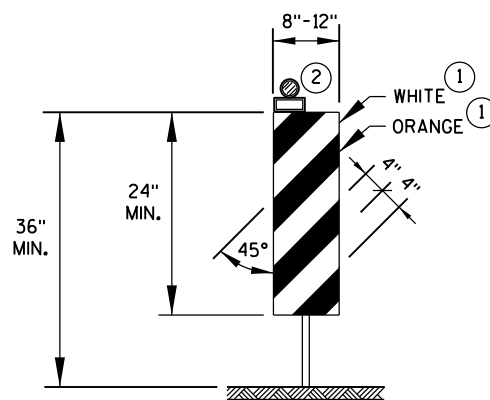
GENERAL NOTES

- ① REFLECTIVE SHEETING SHALL FOLLOW THE REQUIREMENTS IN THE APPROVED PRODUCTS LISTING FOR SIGN SHEETING.
- ② LOCATION OF WARNING LIGHTS WHEN SHOWN ON THE PLAN.



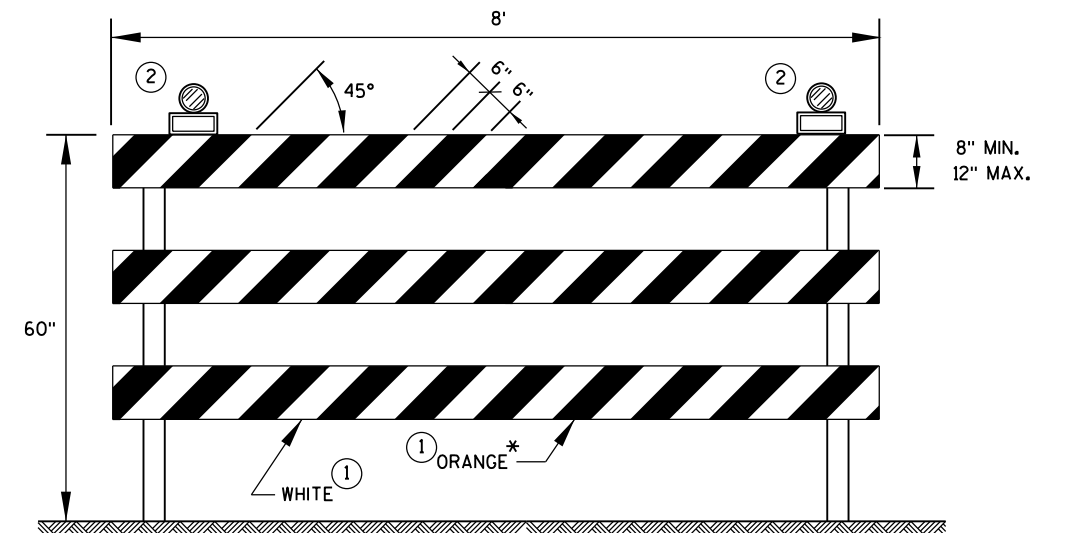
TYPE 2 BARRICADE

FOR RAILS LESS THAN 36" LONG, 4" WIDE STRIPES MAY BE USED.
 ALL STRIPES SHALL SLOPE DOWNWARD TO THE TRAFFIC SIDE FOR CHANNELIZATION.



VERTICAL PANEL

THE STRIPES SHALL SLOPE DOWNWARD TO THE TRAFFIC SIDE FOR CHANNELIZATION.



TYPE 3 BARRICADE

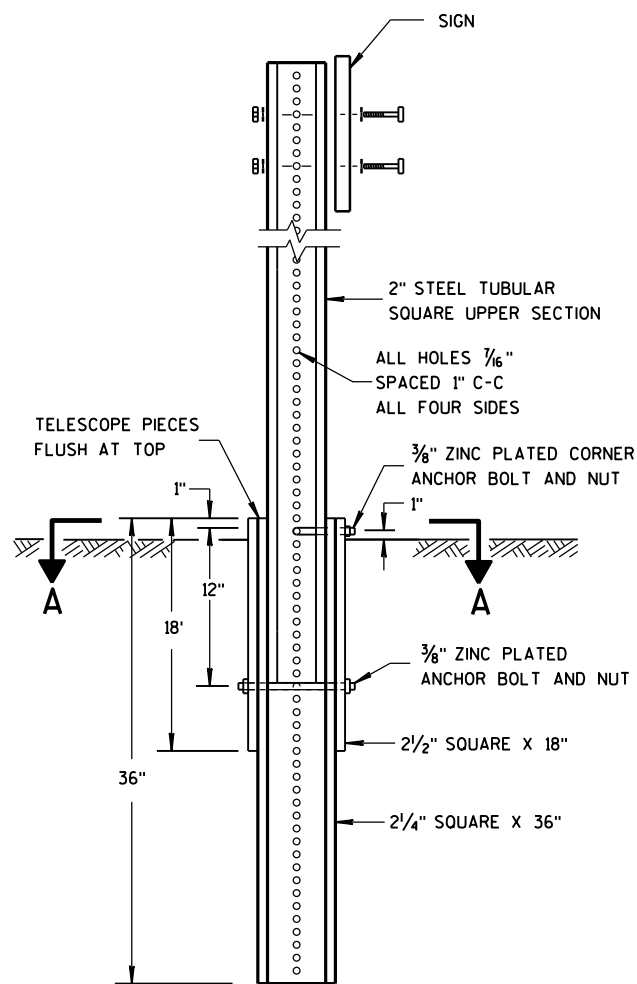
IF SIGN MOUNTED, DO NOT COVER MORE THAN 50% OF THE TOP TWO RAILS OR 33% OF THE TOTAL AREA OF THE THREE RAILS.

* IF USED FOR A PERMANENT APPLICATION, USE RED SHEETING.

6

6

CHANNELIZING DEVICES DRUMS, CONES, BARRICADES AND VERTICAL PANELS	
STATE OF WISCONSIN DEPARTMENT OF TRANSPORTATION	
APPROVED June 2017 DATE	/s/ Andrew Heidtke WORK ZONE ENGINEER
FHWA	



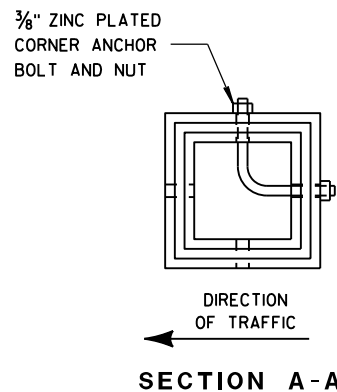
DETAIL OF TUBULAR STEEL SIGN POST

TUBULAR STEEL POSTS

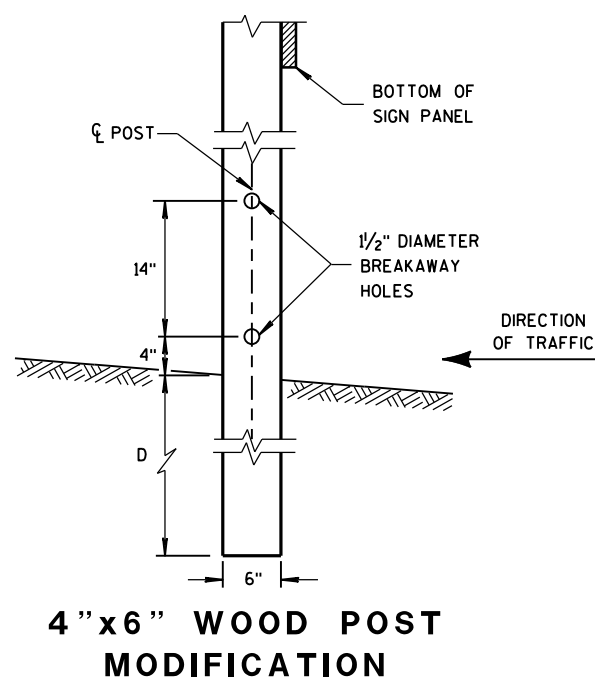
AREA OF SIGN INSTALLATION (SQ. FT.)	NUMBER OF REQUIRED TUBULAR STEEL POSTS
9 OR LESS	1
GREATER THAN 9 LESS THAN OR EQUAL TO 18	2
GREATER THAN 18 LESS THAN OR EQUAL TO 27	3

SIGNS WIDER THAN 3 FEET OR LARGER THAN 9 SQ. FT. SHALL BE MOUNTED ON MULTIPLE POSTS (SEE ABOVE TABLE).

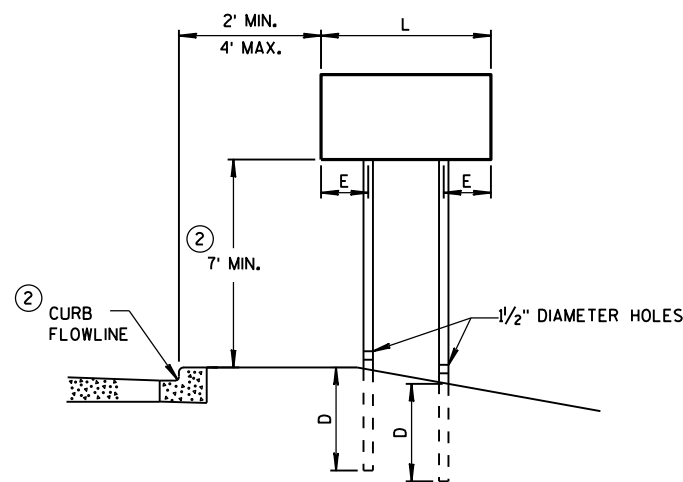
SIGNS LARGER THAN 27 SQ. FT. SHALL NOT BE MOUNTED ON TUBULAR STEEL POSTS.



SECTION A-A



4" X 6" WOOD POST MODIFICATION

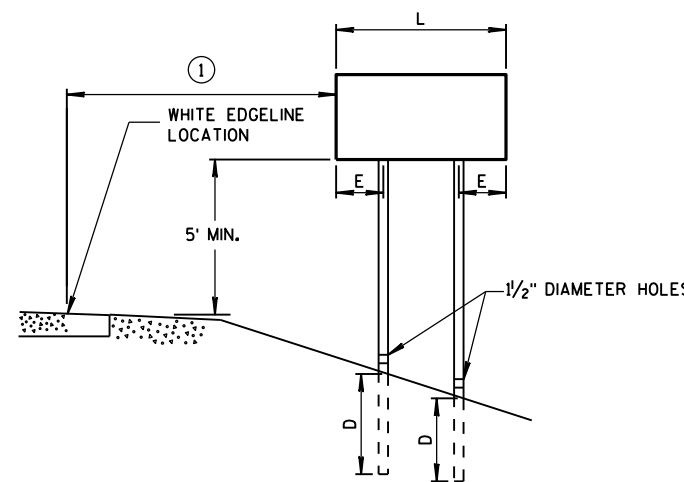


URBAN AREA

POST MOUNTING DETAIL FOR TEMPORARY TRAFFIC CONTROL FIXED MESSAGE SIGNS

WOOD POST EMBEDMENT DEPTH

AREA OF SIGN INSTALLATION (SQ. FT.)	D (MIN)
20 OR LESS	4'
GREATER THAN 20	5'



RURAL AREA

4" X 6" WOOD POST

POST SPACING REQUIREMENTS		NUMBER OF WOOD POSTS REQUIRED
L	E	
48" OR LESS AND LESS THAN 20 SQ. FT.	-	1
LESS THAN 60"	12"	2
60" TO 120"	L/5	2
GREATER THAN 120" LESS THAN 168"	12"	3
168" AND GREATER	12"	4

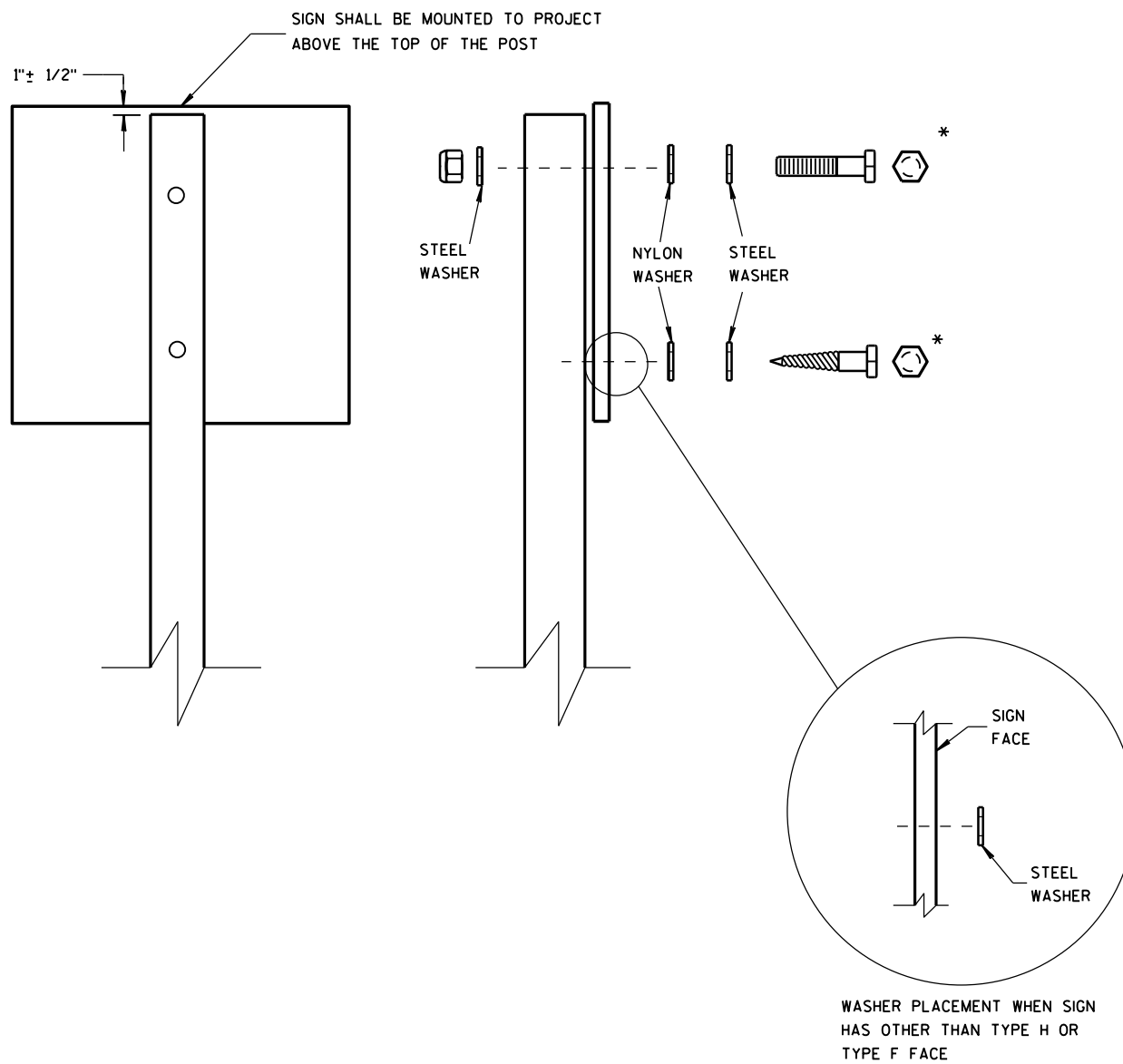
SEE NOTE ③

GENERAL NOTES

- ① 6 FEET FROM THE EDGE OF PAVEMENT (EDGE LINE LOCATION) UNLESS OTHERWISE DIRECTED BY THE PROJECT ENGINEER. LATERAL OFFSET SHOULD BE ADJUSTED TO AVOID THE DITCH FLOWLINE.
- ② THE EXISTENCE OF CURB AND GUTTER DOES NOT IN ITSELF MANDATE THE VERTICAL CLEARANCE ILLUSTRATED. THAT HEIGHT IS TYPICALLY MEASURED WHERE THERE IS SIDEWALK ADJACENT TO THE ROADWAY OR PARKING IS PERMITTED. IN THE ABSENCE OF SIDEWALK, VERTICAL CLEARANCE IS MEASURED FROM THE TOP OF THE CURB. IF NO SIDEWALK AND NO PARKING, VERTICAL CLEARANCE MAY BE REDUCED TO 5 FOOT MINIMUM. OFFSET OF SIGNS IS MEASURED FROM THE CURB FLOWLINE.
- ③ FOR SIGNS REQUIRING 4 POSTS, SPACE INTERMEDIATE POSTS EVENLY.

TEMPORARY TRAFFIC CONTROL SIGN MOUNTING

STATE OF WISCONSIN
DEPARTMENT OF TRANSPORTATION



NUTS, BOLTS AND LAGS USED FOR MOUNTING SIGNS SHALL HAVE HEXAGONAL HEADS AND SHALL BE EITHER:

A. HOT DIP GALVANIZED IN ACCORDANCE WITH ASTM DESIGNATION: A 153, CLASS D, OR SC 3

B. ELECTRO-GALVANIZED IN ACCORDANCE WITH ASTM DESIGNATION: B 633, TYPE III, SC 3

THREADS ON BOLTS AND NUTS SHALL BE MANUFACTURED WITH SUFFICIENT ALLOWANCE FOR THE CADMIUM PLATE OR GALVANIZED COATING TO PERMIT THE NUTS TO RUN FREELY ON THE BOLTS.

WOOD POSTS (4" x 4" or 4" x 6")

LAG SCREWS - 3/8" x 3"

MACHINE BOLTS - 5/16" x 6-1/2" OR 7" LENGTH W/ NUTS

SQUARE STEEL POSTS (2" x 2")

MACHINE BOLTS - 3/8" x 3-1/4" LENGTH W/ NUTS

RIVETS - 5/32" (6605-9-6) BULB-TITE, TRI-FOLD, ALUMINUM BODY/MANDREL
O.D. FLANGE .720-.765 INCH, GRIP RANGE .042-.375 INCH

WASHERS (ALL POSTS) -

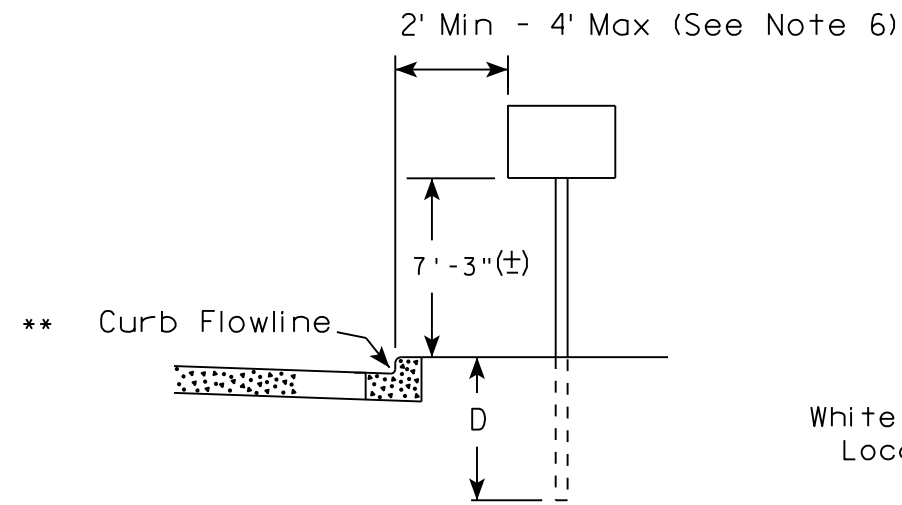
1-1/4" O.D. x 3/8" I.D. x 1/16" STEEL

1-1/4" O.D. x 3/8" I.D. x .080 NYLON FOR ALL TYPE H SIGNS

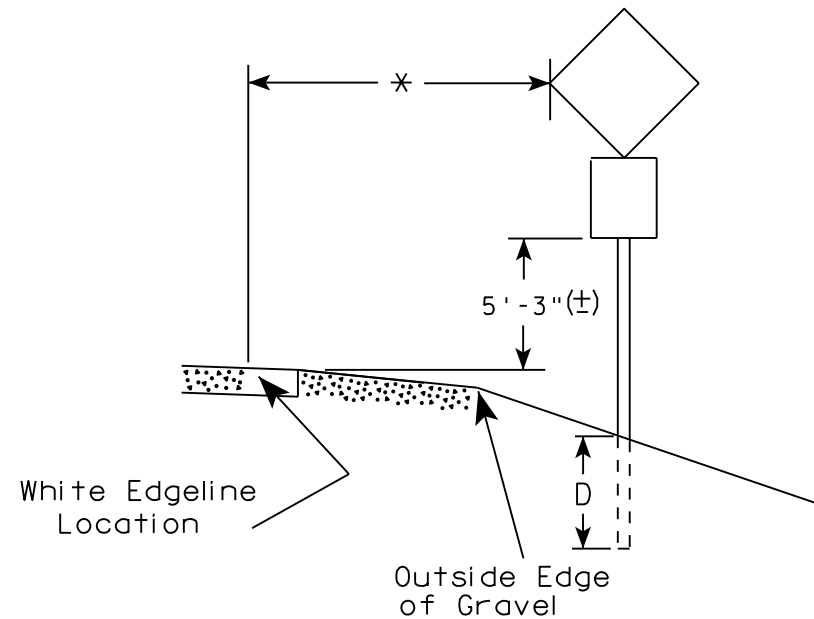
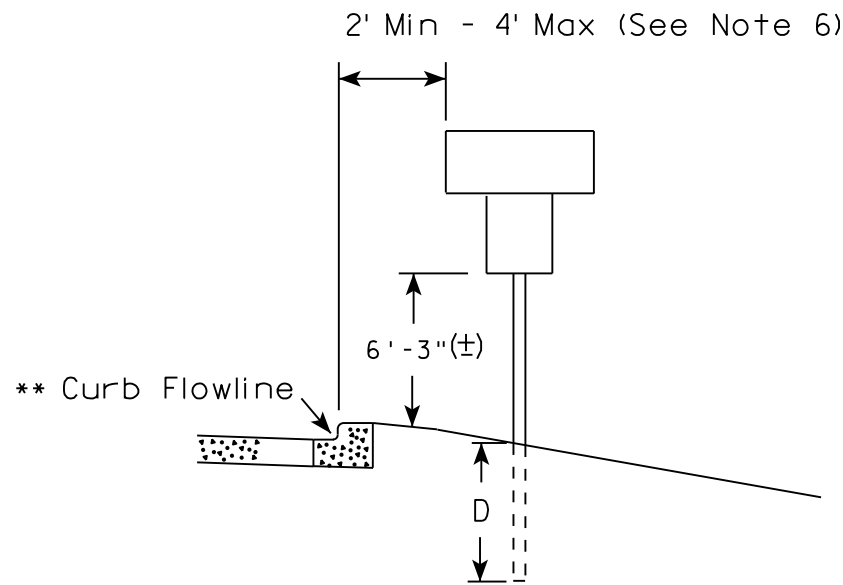
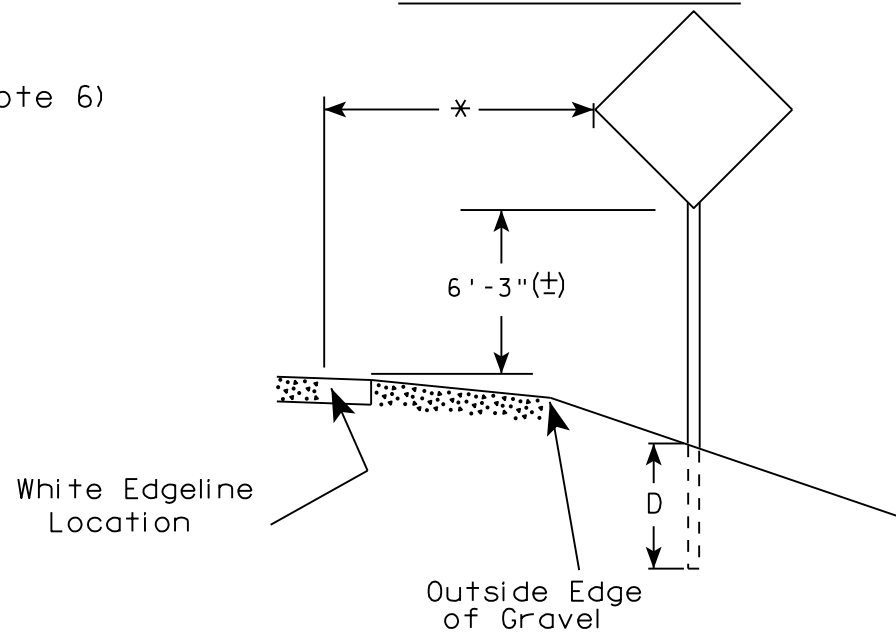
* TWO DIFFERENT FASTENING SYSTEMS ARE SHOWN FOR ILLUSTRATION PURPOSES. ON ANY INDIVIDUAL SIGN, EITHER ONE OR THE OTHER SYSTEM SHALL BE USED. ACTUAL NUMBER OF FASTENERS PER SIGN VARIES WITH THE SIGN AREA. FOR A SINGLE POST INSTALLATION, ALL SIGNS GREATER THAN 9 SQ. FT. REQUIRE THE USE OF 3 FASTENERS.

ATTACHMENT OF SIGNS TO POSTS	
STATE OF WISCONSIN DEPARTMENT OF TRANSPORTATION	
APPROVED June 2017 DATE	/s/ Andrew Heidtke WORK ZONE ENGINEER
FHWA	

URBAN AREA



RURAL AREA (See Note 2)



POST EMBEDMENT DEPTH

Area of Sign Installation (Sq. Ft.)	D (Min)
20 or Less	4'
Greater than 20	5'

GENERAL NOTES

1. Signs wider than 4 feet or 20 sq.ft or larger, shall be mounted on multiple posts. Refer to plate A4-4.
2. If signs are mounted on barrier wall, see A4-10 sign plate.
3. For expressways and freeways, mounting height is 7'- 3" (±) or 6'-3" (±) depending upon existence of a sub-sign.
4. J-Assemblies are considered to be one sign for mounting height.
5. Minimum mounting height for signs mounted on traffic signal poles is 5'- 3" (±).
6. Offset distance shall be consistent with existing signs or consistent throughout length of project.
7. The (±) tolerance for mounting height is 3 inches.
8. Folding signs shall be mounted at a height of 5'-3" (±) or as directed by the Engineer.
9. The Double Arrow sign (W12-1) shall be mounted at a height of 2'-3" (±). The Chevron sign (W1-8), Roundabout Chevron panel (R6-4B), Enhanced Reference Markers, Clearance Markers (W5-52), Mile Markers (D10 series), In Road Object Markers (W5-54) & End of Road Markers (W5-56) shall be mounted at a height of 4'-3" (±).

* * The existence of curb and gutter does not in itself mandate the vertical clearance illustrated. That height is typically measured where there is sidewalk adjacent to the roadway or parking is permitted. In the absence of sidewalk vertical clearance is measured from the top of the curb. Offset of signs is measured from the flow line.

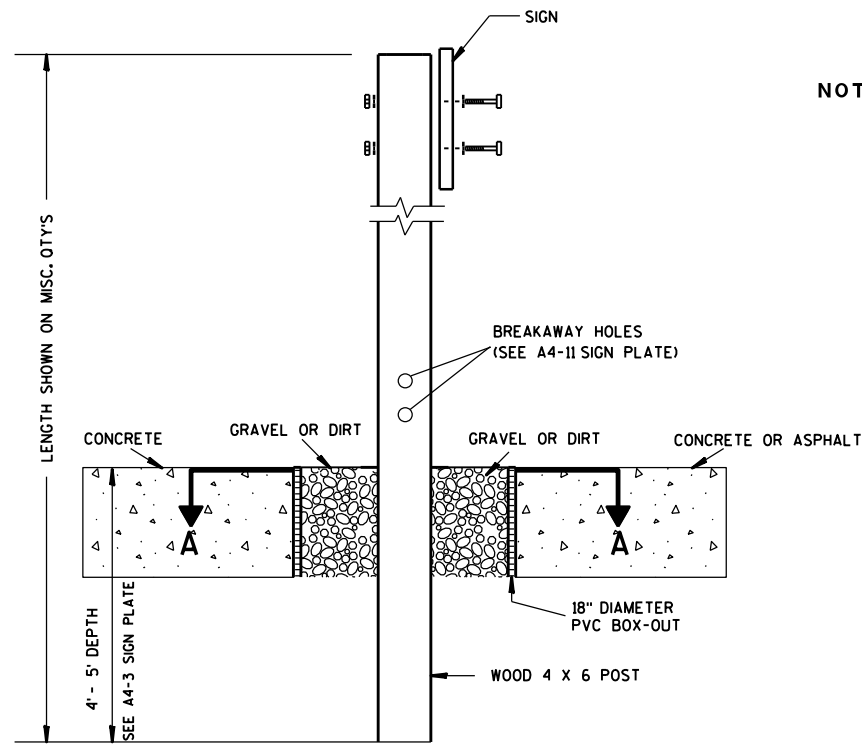
* 6 feet from edge of a paved shoulder or 12 feet from the edge of pavement (edge line location) or 2 feet from outside edge of gravel, whichever is greater unless directed by project engineer.

TYPICAL INSTALLATION OF PERMANENT TYPE II SIGNS ON SINGLE POSTS

WISCONSIN DEPT OF TRANSPORTATION

APPROVED *Matthew R. Rauch*
for State Traffic Engineer

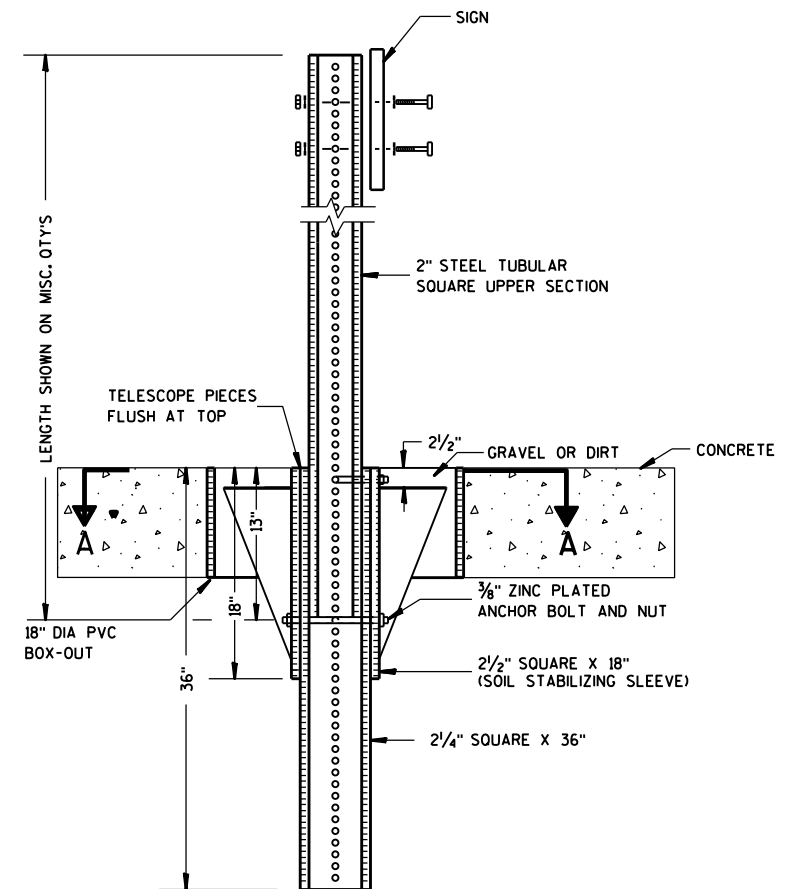
DATE 8/21/17 PLATE NO. A4-3.21



ELEVATION VIEW

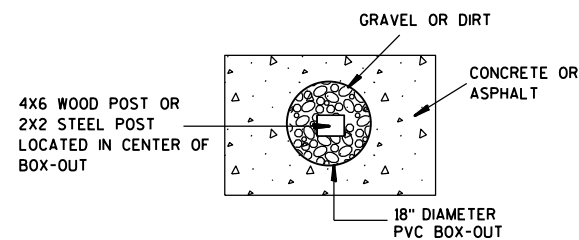
DETAIL OF WOOD 4 X 6 SIGN POST IN BOX-OUT

- NOTES:**
1. ALL MATERIAL TO BE APPROVED BY ENGINEER PRIOR TO INSTALLATION
 2. SEE SIGN PLATE A4-8 FOR SIGN HARDWARE REQUIREMENTS
 3. 18 INCH X 18 INCH SQUARE BOX-OUTS MAY BE USED FOR INSTALLATIONS IN EXISTING CONCRETE OR ASPHALT LOCATIONS.



ELEVATION VIEW

DETAIL OF STEEL 2 X 2 SIGN POST IN BOX-OUT



PLAN VIEW

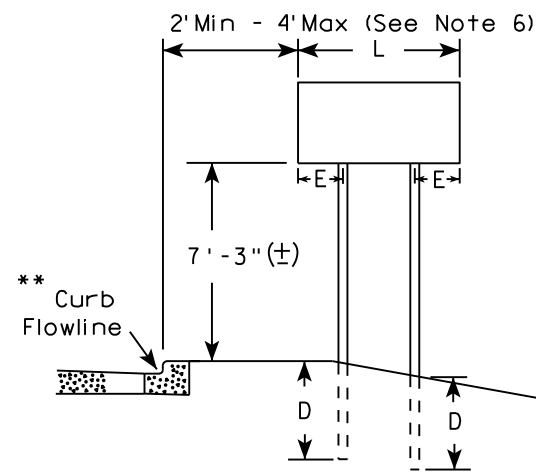
FOR NEW CONCRETE/ASPHALT INSTALLATIONS

SIGN POST BOX-OUTS A4-3B	
<small>WISCONSIN DEPT OF TRANSPORTATION</small>	
APPROVED <i>Matthew R. Rauch</i> <small>for State Traffic Engineer</small>	
<small>DATE 1/27/14</small>	<small>PLATE NO. A4-3B.1</small>

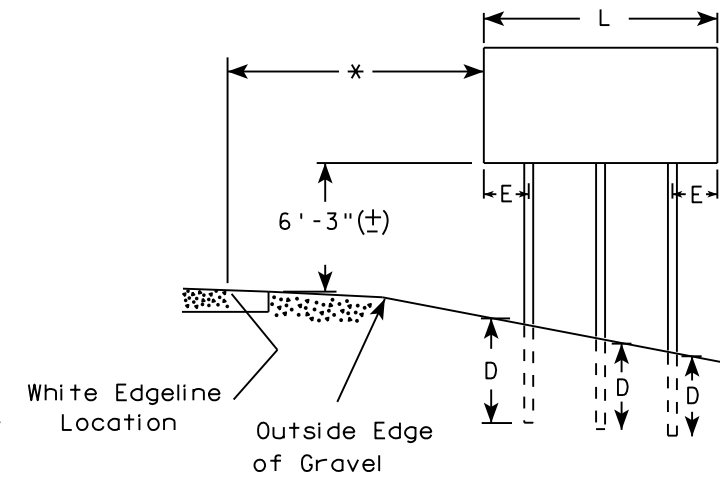
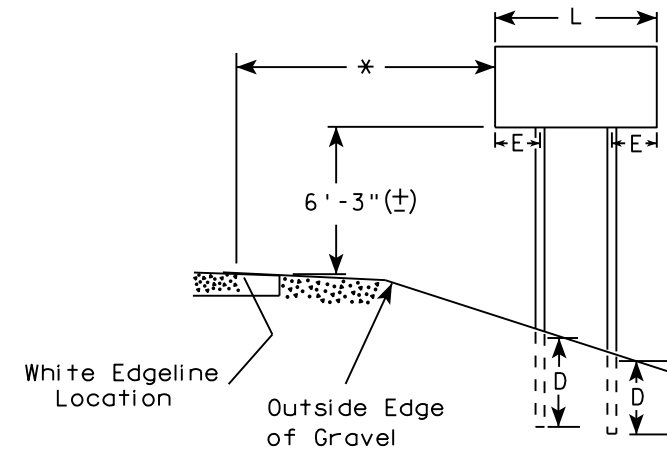
GENERAL NOTES

1. For 3 or 4 post installations, individual post spacing shall be greater than 3'-6".
2. See tables below for required number of posts.
3. For expressways and freeways, mounting height is 7'-3" (±) or 6'-3" (±) depending upon existence of sub-sign.
4. The (±) tolerance for mounting height is 3 inches.
5. J-Assemblies are considered to be one sign for mounting height.
6. Offset distance shall be consistent with existing signs or consistent throughout length of project.
7. Folding signs shall be mounted at a height of 5'-3" (±) or as directed by the engineer.
8. The Double Arrow sign (W12-1) shall be mounted at a height of 2'-3" (±). The Chevron sign (W1-8), Roundabout Chevron panel (R6-4B), Clearance Markers (W5-52), Mile Markers (D10 series), In Road Object Markers (W5-54) & End of Road Markers (W5-56) shall be mounted at a height of 4'-3" (±).

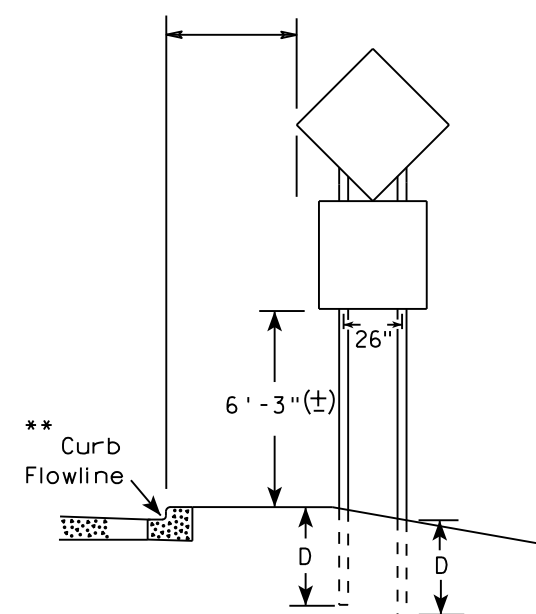
URBAN AREA



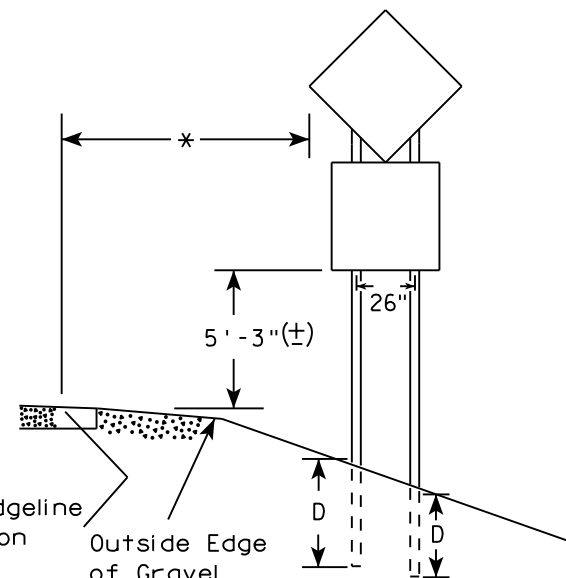
RURAL AREA (See Note 3)



2' Min - 4' Max (See Note 6)



48" DIAMOND WARNING SIGN



48" DIAMOND WARNING SIGN

* 6 feet from edge of a paved shoulder or 12 feet from the edge of pavement (edge line location) or 2 feet from outside edge of gravel, whichever is greater unless directed by project engineer.

** The existence of curb and gutter does not in itself mandate the vertical clearance illustrated. That height is typically measured where there is sidewalk adjacent to the roadway or parking is permitted. In the absence of sidewalk vertical clearance is measured from the top of the curb. Offset of signs is measured from the flow line.

*** See A4-3 sign plate for signs 4' or less in width and less than 20 S.F. in area.

SIGN SHAPE OTHER THAN DIAMOND (TWO POSTS REQUIRED)	
L	E
Greater than 48" Less than 60"	12"
60" to 108"	L/5

SIGN SHAPE OTHER THAN DIAMOND (THREE POSTS REQUIRED)	
L	E
Greater than 108" to 144"	12"

POST EMBEDMENT DEPTH

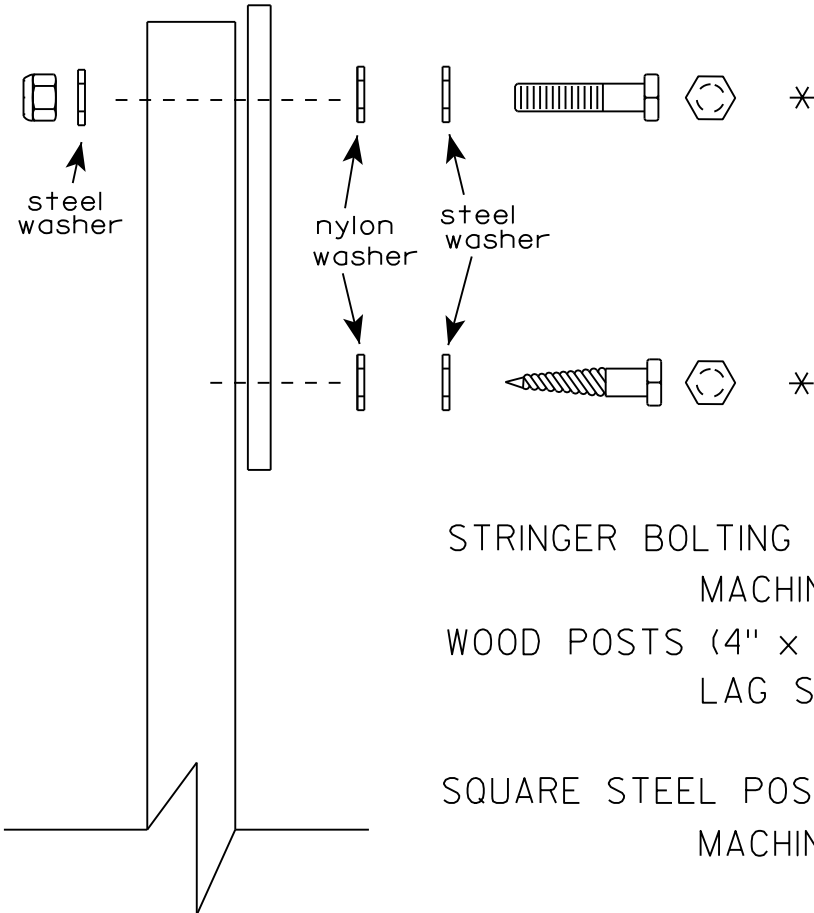
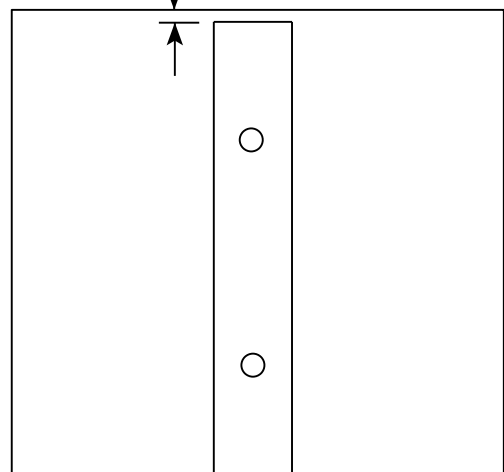
Area of Sign Installation (Sq. Ft.)	D (Min)
20 or Less	4'
Greater than 20	5'

TYPICAL INSTALLATION OF TYPE II SIGNS ON MULTIPLE POSTS

WISCONSIN DEPT OF TRANSPORTATION
 APPROVED *Matthew R. Rauch*
 For State Traffic Engineer
 DATE 8/21/17 PLATE NO. A4-4.15

1"± 1/2"

SIGN SHALL BE MOUNTED TO PROJECT ABOVE THE TOP OF THE POST



Nuts, bolts and lags used for mounting signs shall have hexagonal heads and shall be either :

- a. Hot dip galvanized in accordance with ASTM Designation: A 153, Class D, or SC 3
- b. Electro-galvanized in accordance with ASTM Designation : B 633, TYPE III, SC 3.

Threads on bolts and nuts shall be manufactured with sufficient allowance for the cadmium plate or galvanized coating to permit the nuts to run freely on the bolts.

STRINGER BOLTING TO ALUMINUM SIGNS (SEE SIGN PLATE A4-18)

MACHINE BOLTS - 5/16" X 1-3/4" Length w/ lock nuts

WOOD POSTS (4" x 4" or 4" x 6")

LAG SCREWS - 3/8" X 3" (NO STRINGERS ON BACK OF SIGN)
3/8" X 4" (STRINGERS ON BACK OF SIGN)

SQUARE STEEL POSTS (2" x 2")

MACHINE BOLTS - 3/8" X 3-1/4" Length w/ nuts (NO STRINGER ON BACK OF SIGN)
3/8" X 5" Length w/ nuts (STRINGERS ON BACK OF SIGN)

RIVETS - 9/32" (6605-9-6) BULB-TITE, TRI-FOLD, ALUMINUM BODY/MANDREL
O.D. FLANGE .720-.765 INCH, GRIP RANGE .042-.375 INCH

WASHERS (ALL POSTS) -

1-1/4" O.D. X 3/8" I.D. X 1/16" STEEL

1-1/4" O.D. X 3/8" I.D. X .080 NYLON

* Two different fastening systems are shown for illustration purposes. On any individual sign, either one or the other system shall be used. Actual number of fasteners per sign varies with the sign area, but normally there are two. For a single post installation, all signs greater than 9 sq. ft. require the use of 3 fasteners.

ATTACHMENT OF SIGNS TO POSTS

WISCONSIN DEPT OF TRANSPORTATION

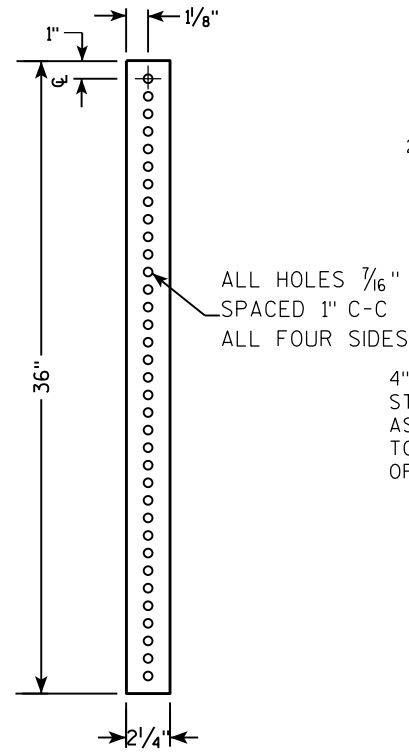
APPROVED *Matthew R. Rauch*
For State Traffic Engineer

DATE 8/11/16 PLATE NO. A4-8.8

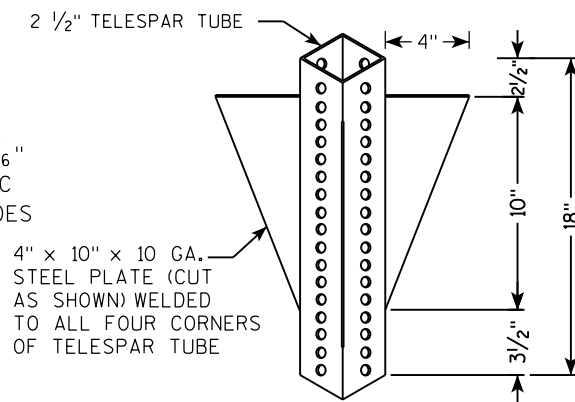
7

**TELESCOPIC TUBING ANCHORS
TWO PIECE SYSTEM**

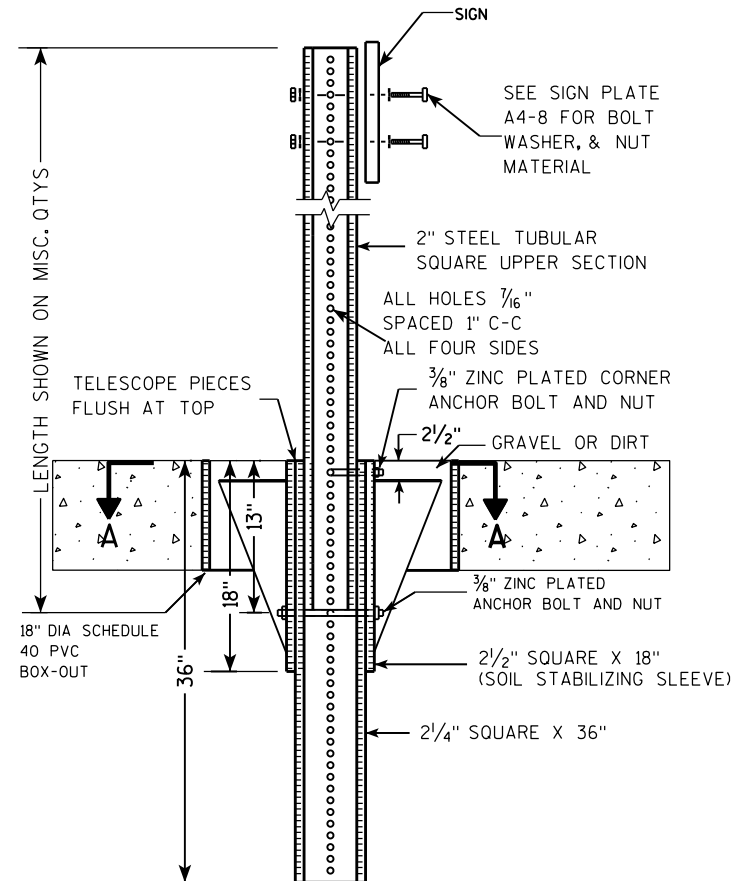
2 1/4" SQUARE
12 GAUGE
PERFORATED
GALVANIZED FINISH



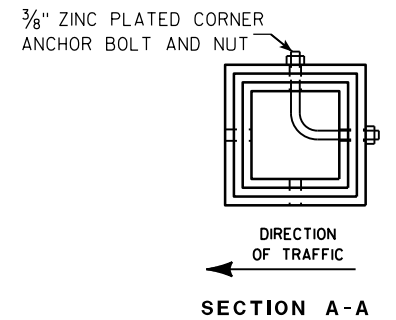
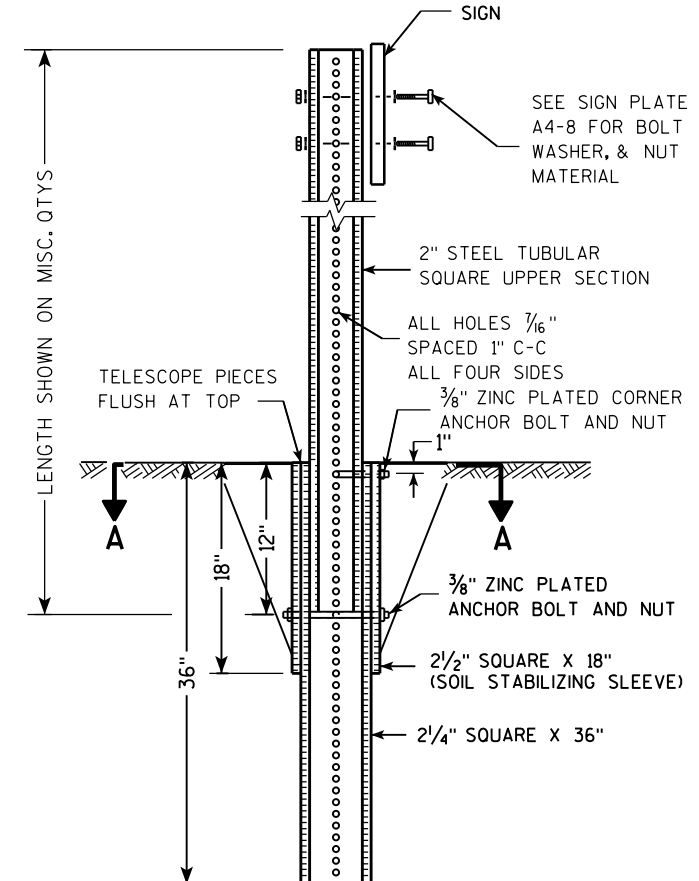
2 1/2" SQUARE
12 GAUGE
OMNI-DIRECTIONAL
PERFORATED
SOIL STABILIZING SLEEVE
GALVANIZED FINISH



**DETAIL OF TUBULAR STEEL SIGN POST
(IN POURED CONCRETE OR ASPHALT)**



**DETAIL OF TUBULAR STEEL SIGN POST
(IN LOCATIONS OTHER THAN POURED CONCRETE OR ASPHALT)**



Area of Sign Installation (Sq. Ft.)	Number of Required Posts
9 or less	1
Greater than 9 less than or equal to 18	2
Greater than 18 less than or equal to 27	3

Signs wider than 3 feet or larger than 9 sq. ft shall be mounted on multiple posts (see above table).

**TUBULAR STEEL
SIGN POST
A4-9**

WISCONSIN DEPT OF TRANSPORTATION

APPROVED *Matthew R. Rauch*
for State Traffic Engineer

DATE 2/05/15 PLATE NO. A4-9.9

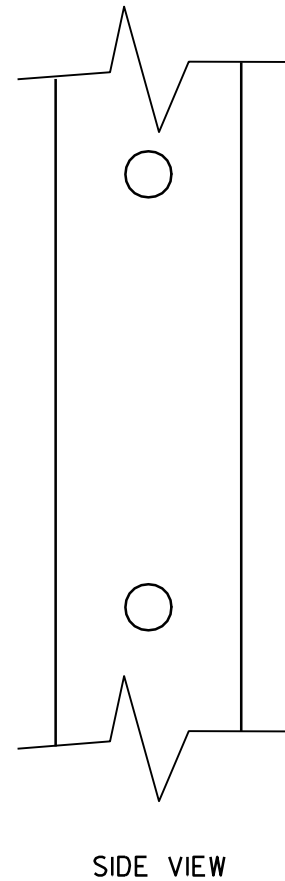
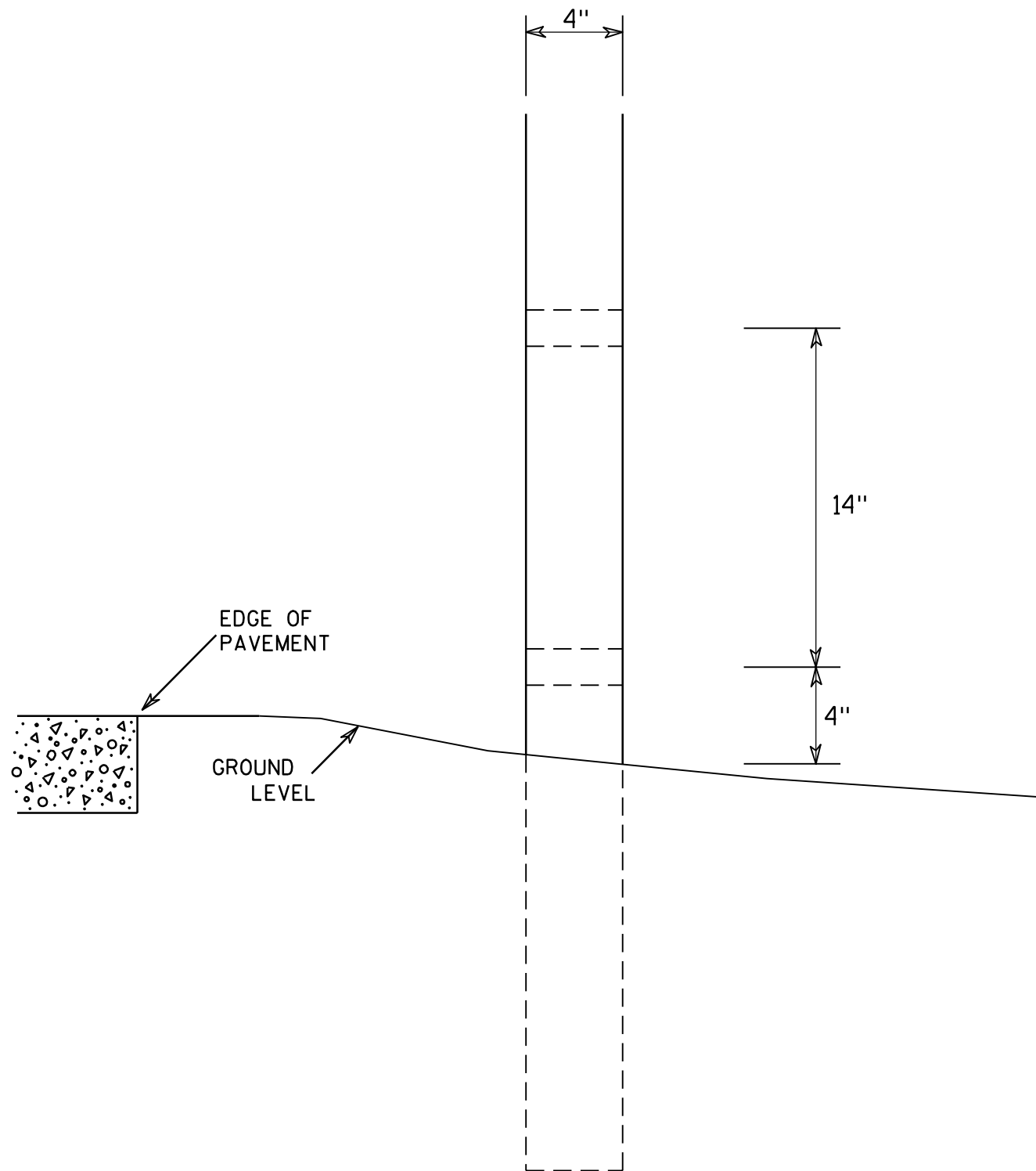
PROJECT NO:

HWY:

COUNTY:

SHEET NO:

E



GENERAL NOTES

1. All 4 x 6 Wood Posts shall be modified by having two 1½" diameter holes drilled perpendicular to the roadway centerline.

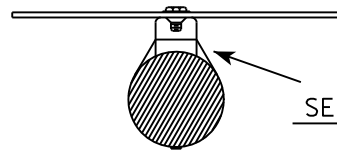
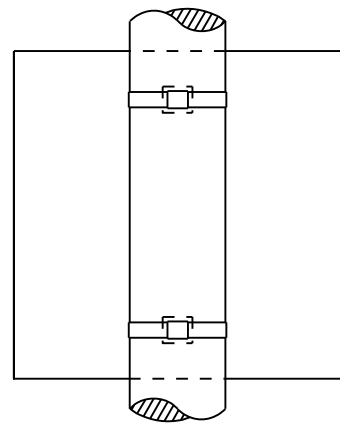
7

7

4 X 6 WOOD POST MODIFICATIONS	
<i>WISCONSIN DEPT OF TRANSPORTATION</i>	
APPROVED	<i>Chester J Spang</i> for State Traffic Engineer
DATE <u>3/27/97</u>	PLATE NO. <u>A4-11.2</u>

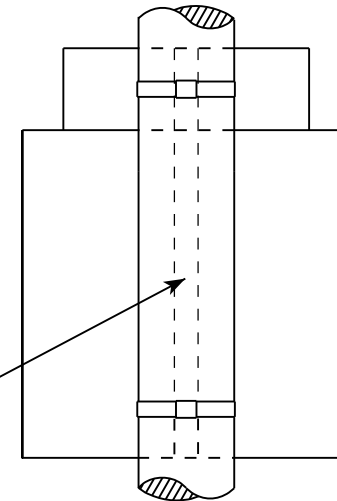
BANDING

SINGLE SIGN

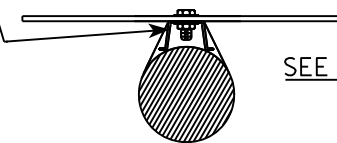


SEE DETAIL A

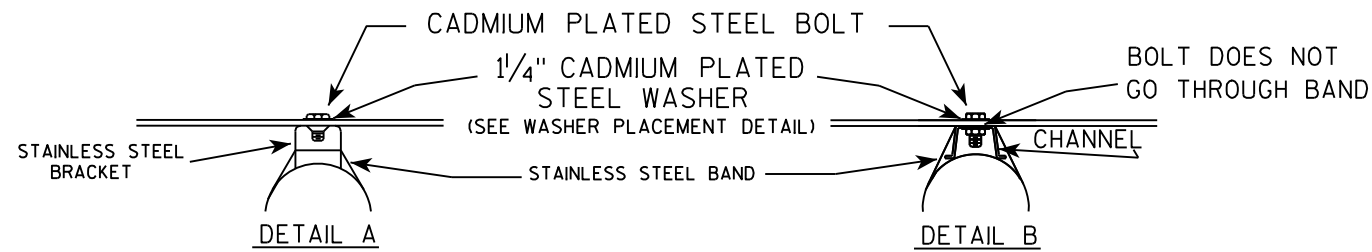
"J" ASSEMBLY



CHANNEL
SEE TYPICAL PANEL
INSTALLATION SHEET



SEE DETAIL B



BOLT DOES NOT
GO THROUGH BAND

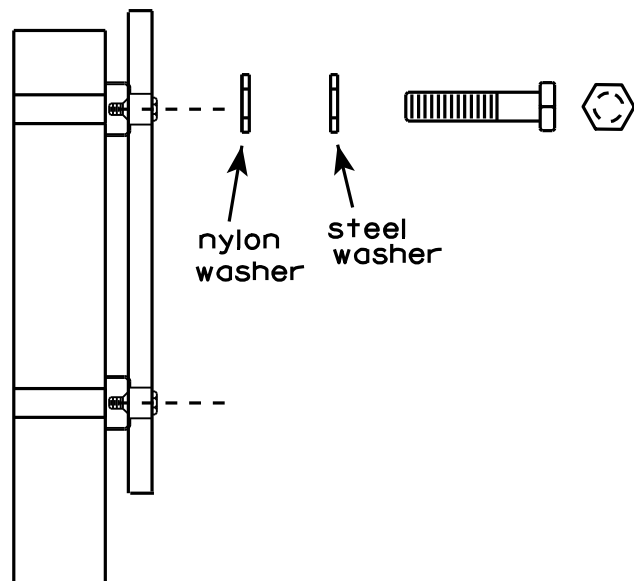
DETAIL A

DETAIL B

GENERAL NOTES

1. Any sign over 3 feet in width shall use the V-Block banding method. See A5-10 standard plate.
2. Signs 3 feet or greater in height shall have three bracket bands installed. Signs less than 3 feet in height shall have two bracket bands installed.
3. Banding and assembly bracket shall be stainless steel. All bands shall be 3/4" in width and 0.025" thickness.

WASHER PLACEMENT



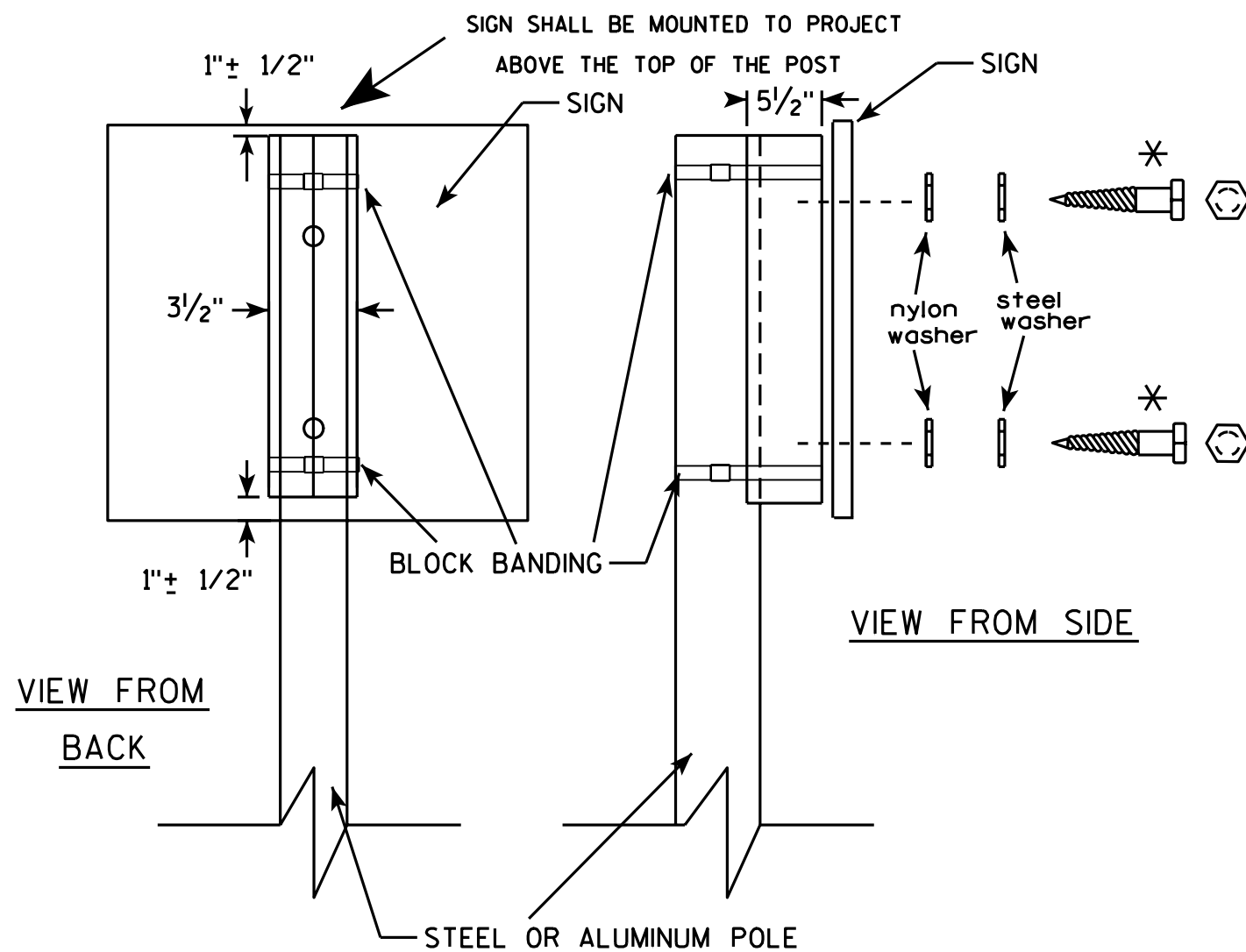
WASHERS (ALL POSTS) -
 1-1/4" O.D. X 3/8" I.D. X 1/16" STEEL
 1-1/4" O.D. X 3/8" I.D. X .080 NYLON
 FOR ALL TYPE H SIGNS

STANDARD SIGN
SIGN BANDING DETAILS

WISCONSIN DEPT OF TRANSPORTATION

APPROVED *Matthew R. Rauch*
for State Traffic Engineer

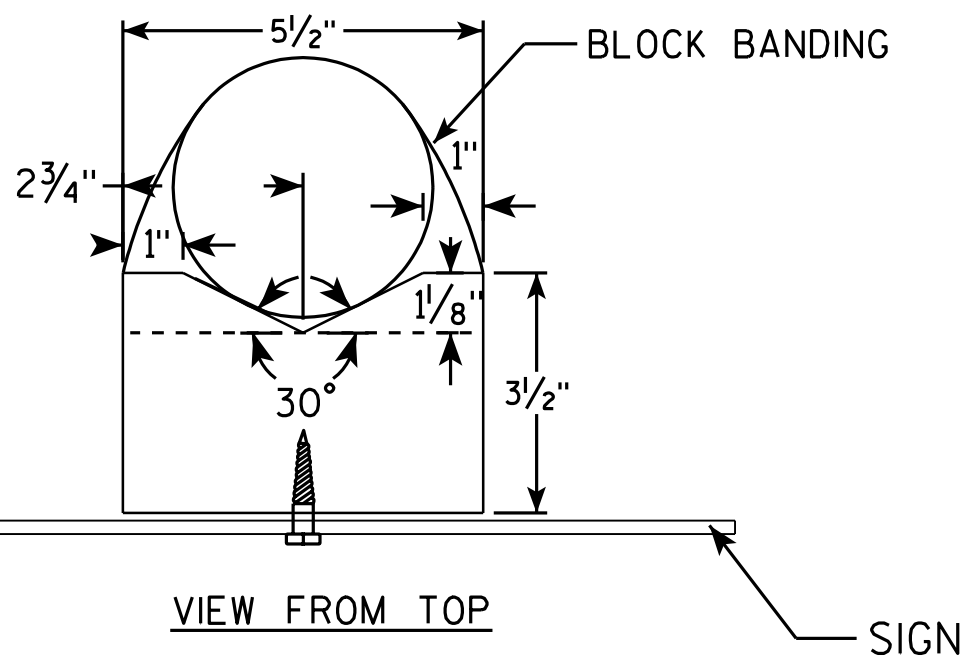
DATE 8/16/13 PLATE NO. A5-9.3



GENERAL NOTES

1. WOOD 4"x6" POST MATERIAL SHALL CONFORM TO 507.2.2 OF THE WISDOT STANDARD SPECIFICATIONS
2. BLOCK BANDING AND CLIPS SHALL BE STAINLESS STEEL, 3/4" WIDTH AND 0.025" THICKNESS
3. SIGNS 3' OR GREATER IN HEIGHT SHALL UTILIZE 3 BLOCK BANDS. SIGNS UNDER 3' IN HEIGHT SHALL UTILIZE 2 BLOCK BANDS
4. ACTUAL NUMBER OF FASTENERS PER SIGN VARIES WITH THE SIGN AREA, BUT NORMALLY THERE ARE TWO. FOR SIGNS GREATER THAN 9 S.F. 3 FASTENERS SHALL BE USED.
5. ALL SIGN MOUNTING BOLTS AND WASHERS SHALL BE EITHER:
 - a. Hot dip or mechanically galvanized in accordance with ASTM Designation: A 153, Class D, or
 - b. Cadmium plated in accordance with ASTM Designation : B 766 TYPE 3, Class 12, or
 - c. Electro-galvanized in accordance with ASTM Designation : B 633, TYPE III, SC 3.
6. ALL BOLTS SHALL HAVE HEXAGONAL HEADS.
7. STEEL WASHERS SHALL BE 1/4" O.D. X 3/8" I.D. X 1/16"
8. NYLON WASHERS SHALL BE 1/4" O.D. X 3/8" I.D. X .080 FOR TYPE H OR TYPE F FACE SIGN

* LAG BOLTS SHALL BE 3/8" X 2 1/2"



BLOCK BANDING DETAIL
(V-BLOCK OPTION)

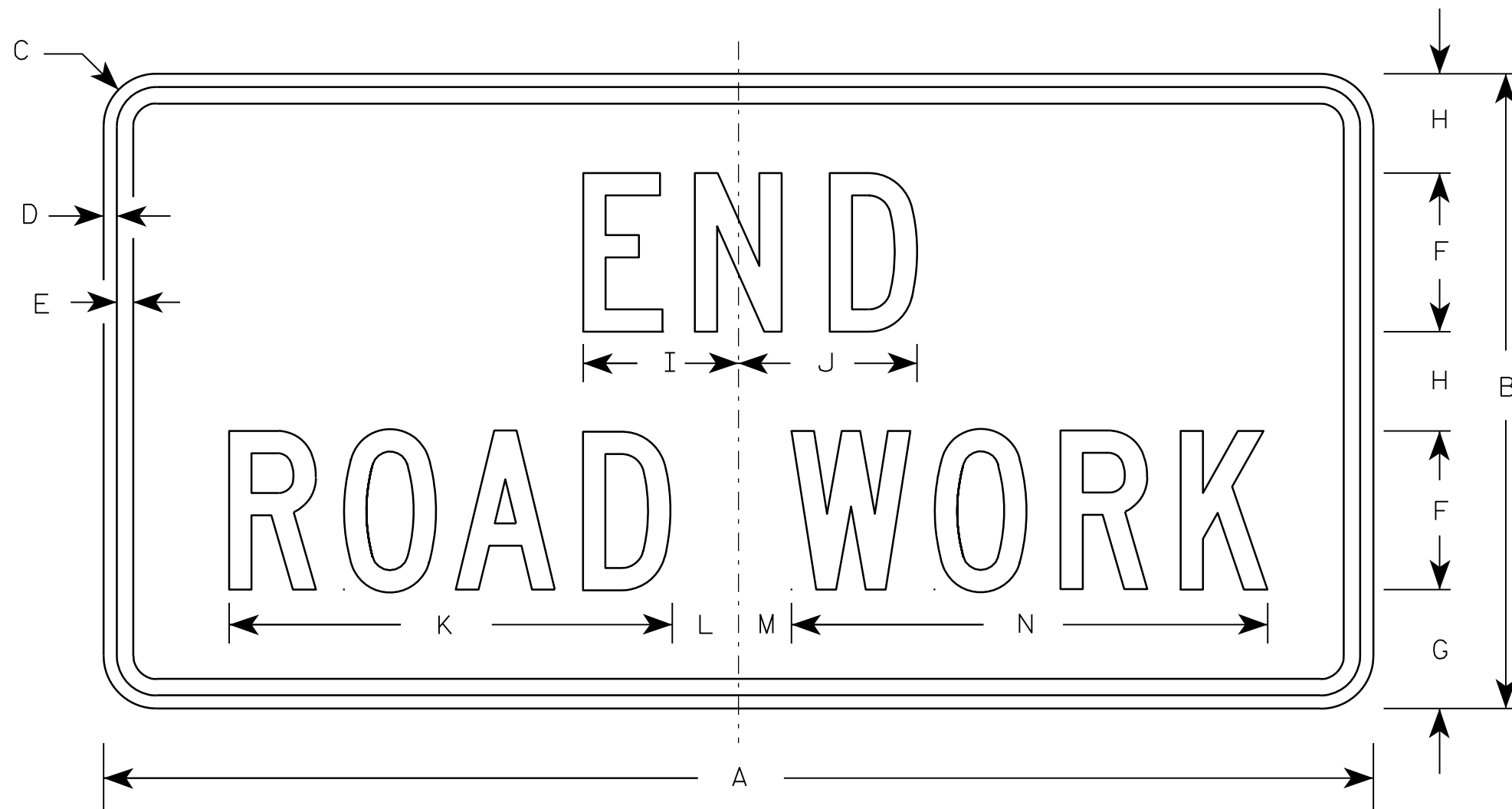
WISCONSIN DEPT OF TRANSPORTATION

APPROVED *Matthew R. Rauch*
for State Traffic Engineer

DATE 7/12/07 PLATE NO. A5-10.1

NOTES

1. Sign is Type II - Type F Reflective - reference WIS DOT Standard Specification for HIGHWAY and STRUCTURE CONSTRUCTION latest edition.
2. Color:
Background - Orange
Message - Black
3. Message Series - C
4. Corners may be square or rounded when base material is plywood but borders shall be rounded as shown. When base material is metal, the corners and borders shall be rounded.



G20-2A

7

7

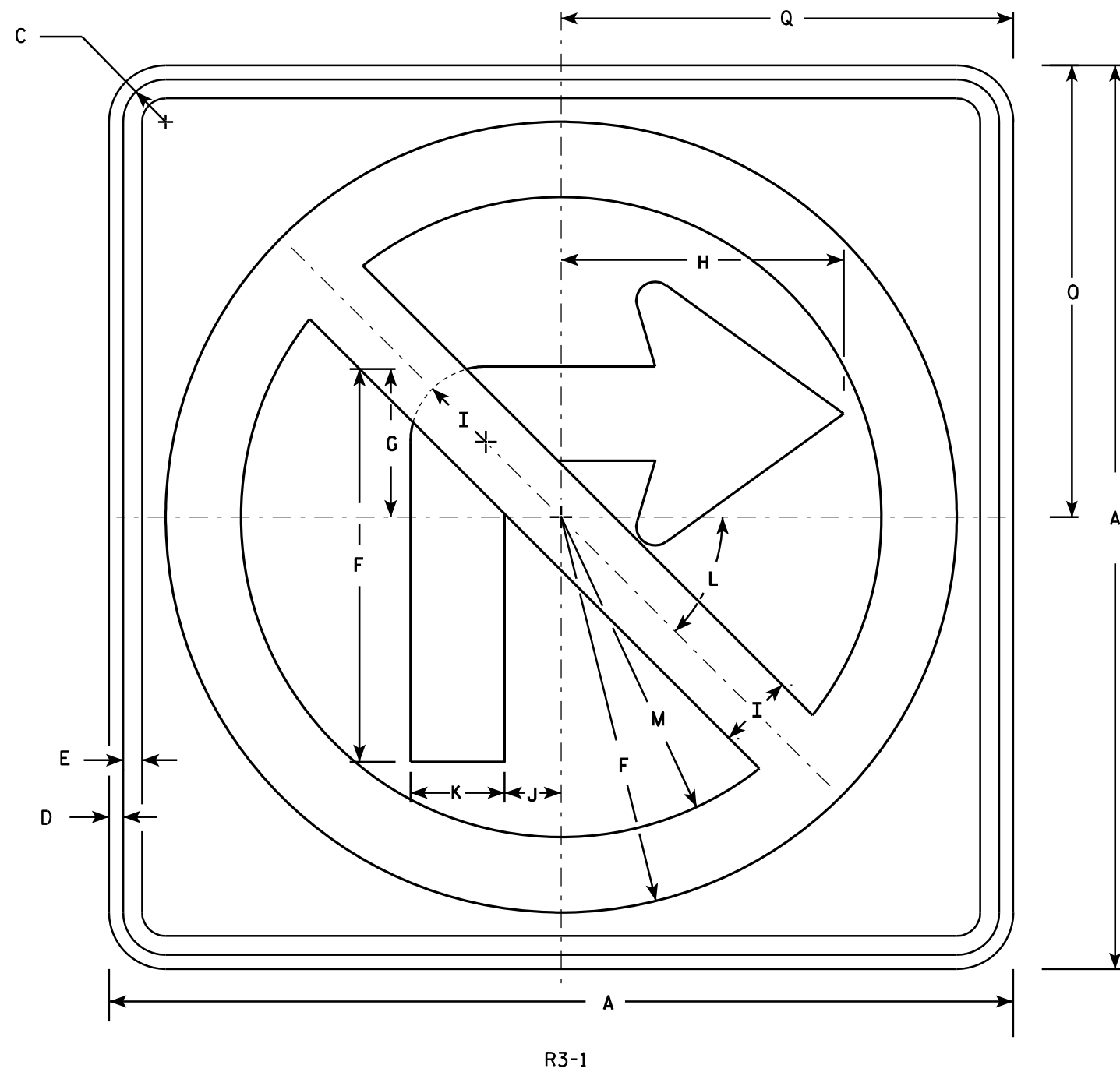
Metric equivalent for this sign is:

SIZE	
1	900 mm X 450 mm
2	1200 mm X 600 mm
3	1200 mm X 600 mm
4	1200 mm X 600 mm
5	1200 mm X 600 mm

SIZE	A	B	C	D	E	F	G	H	I	J	K	L	M	N	O	P	Q	R	S	T	U	V	W	X	Y	Z	Area sq. ft.	Area sq. m.
1	36	18	1 1/8	3/8	1/2	4	3 3/4	2 1/2	4 1/8	4 1/8	11 1/8	2	1	12 1/8													4.5	0.41
2	48	24	1 1/2	1/2	5/8	6	4 1/2	3 3/4	5 7/8	6 3/4	16 3/4	2 1/2	1 3/4	18 1/2													8.0	0.72
3	48	24	1 1/2	1/2	5/8	6	4 1/2	3 3/4	5 7/8	6 3/4	16 3/4	2 1/2	1 3/4	18 1/2													8.0	0.72
4	48	24	1 1/2	1/2	5/8	6	4 1/2	3 3/4	5 7/8	6 3/4	16 3/4	2 1/2	1 3/4	18 1/2													8.0	0.72
5	48	24	1 1/2	1/2	5/8	6	4 1/2	3 3/4	5 7/8	6 3/4	16 3/4	2 1/2	1 3/4	18 1/2													8.0	0.72

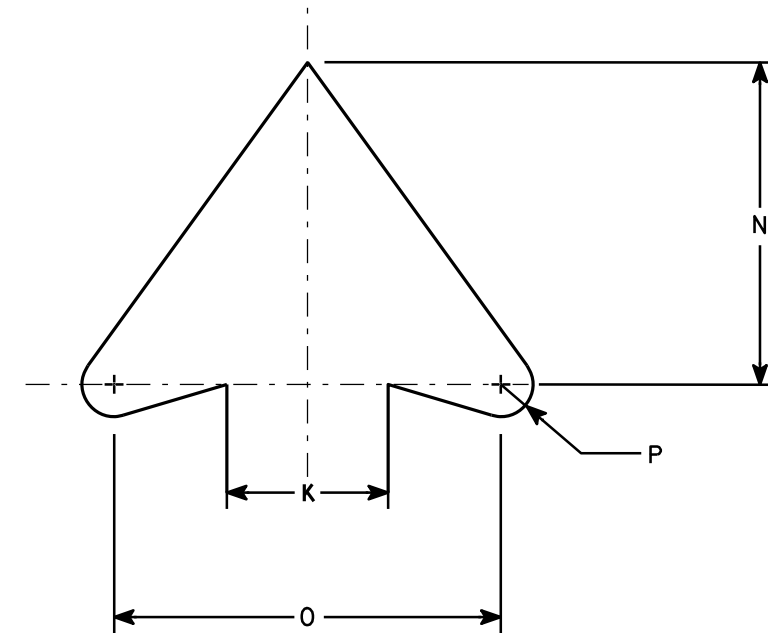
STANDARD SIGN G20-2A	
WISCONSIN DEPT OF TRANSPORTATION	
APPROVED	<i>Matthew R. Rauch</i> For State Traffic Engineer
DATE 9/30/09	PLATE NO. G20-2A.8

PROJECT NO:	HWY:	COUNTY:	SHEET NO:	E
-------------	------	---------	-----------	----------



NOTES

1. Sign is Type II - Type H Reflective - reference WIS DOT Standard Specification for HIGHWAY and STRUCTURE CONSTRUCTION latest edition.
2. Color:
Background - White
Message - See note 4
3. Corners may be square or rounded when base material is plywood but borders shall be rounded as shown. When base material is metal, the corners and borders shall be rounded.
4. Border & Arrow are non reflective black, the circle with diagonal bar is reflective red.



ARROW DETAIL

SIZE	A	B	C	D	E	F	G	H	I	J	K	L	M	N	O	P	Q	R	S	T	U	V	W	X	Y	Z	Area sq. ft.
1	24		1 1/8	3/8	1/2	10 1/2	4	7 1/2	2	1 1/2	2 1/2	45	8 1/2	5	6	1/2	12										4.0
2S	24		1 1/8	3/8	1/2	10 1/2	4	7 1/2	2	1 1/2	2 1/2	45°	8 1/2	5	6	1/2	12										4.0
2M	36		1 5/8	5/8	3/4	15 3/4	6	11 1/4	3	2 1/4	3 3/4	45	12 3/4	7 1/2	9	3/4	18										9.0
3	36		1 5/8	5/8	3/4	15 3/4	6	11 1/4	3	2 1/4	3 3/4	45	12 3/4	7 1/2	9	3/4	18										9.0
4	36		1 5/8	5/8	3/4	15 3/4	6	11 1/4	3	2 1/4	3 3/4	45°	12 3/4	7 1/2	9	3/4	18										9.0
5	48		2 1/4	3/4	1	21	8	15	4	3	5	45°	17	10	12	1	24										16.0

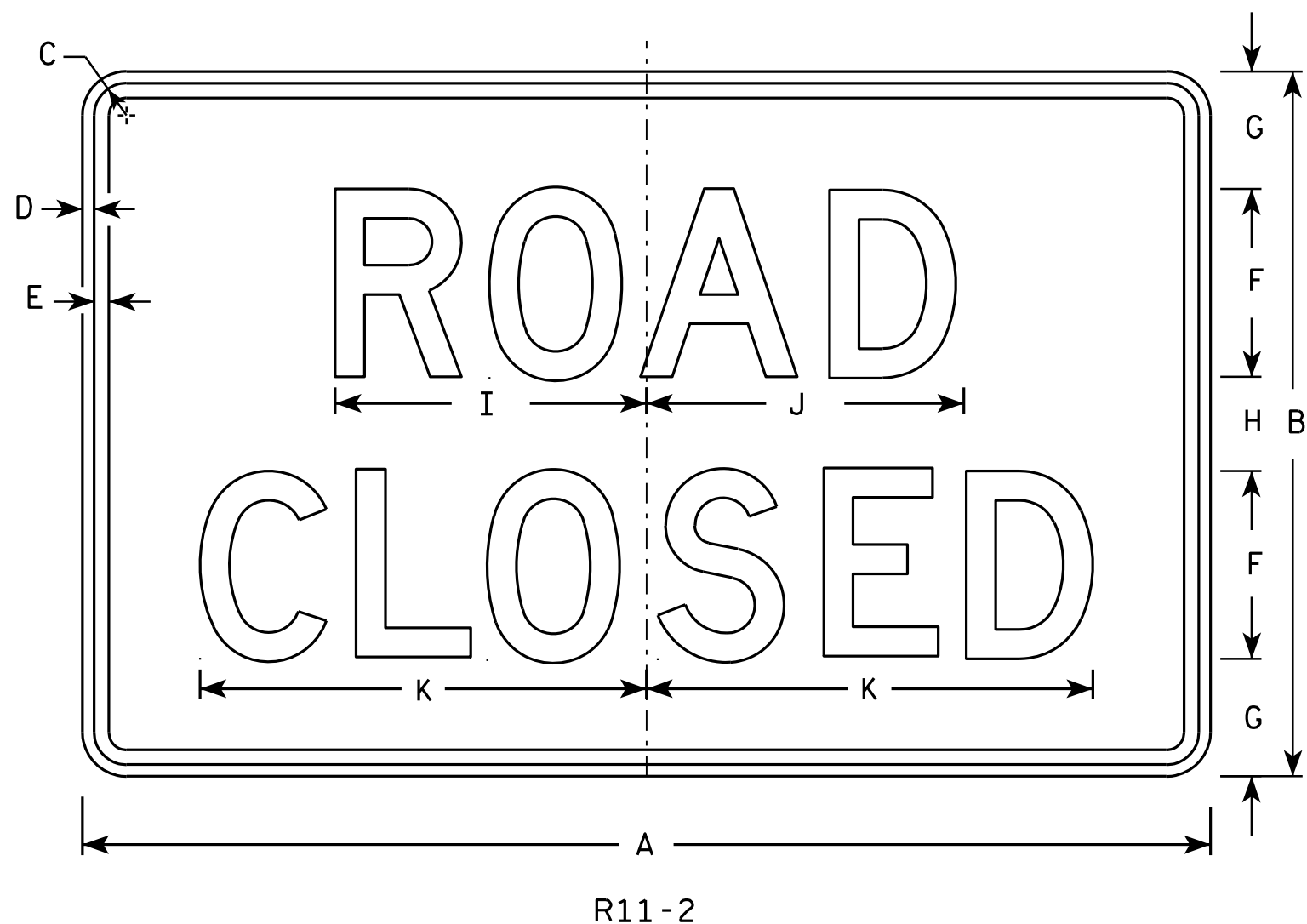
STANDARD SIGN
R3-1

WISCONSIN DEPT OF TRANSPORTATION

APPROVED *Matthew R. Rauch*
for State Traffic Engineer

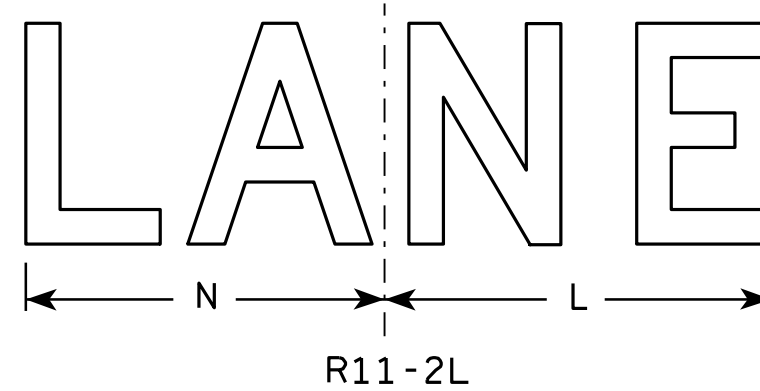
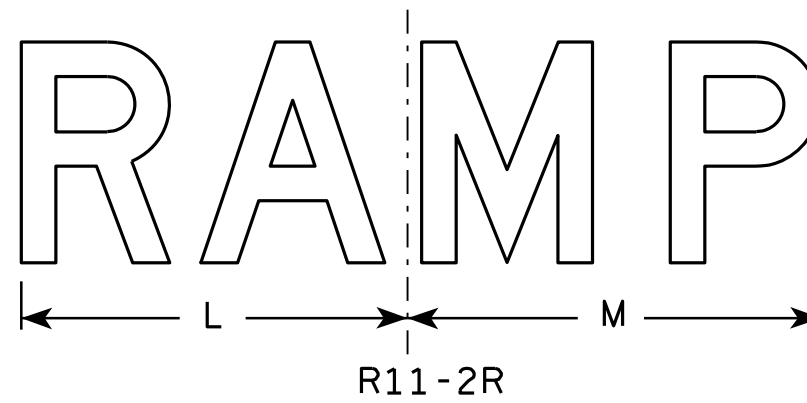
DATE 12/08/10 PLATE NO. R3-1.5

PROJECT NO: _____ HWY: _____ COUNTY: _____ SHEET NO: _____ E



NOTES

1. Sign is Type II - Type H Reflective - reference WIS DOT Standard Specification for HIGHWAY and STRUCTURE CONSTRUCTION latest edition.
2. Color:
Background - White
Message - Black
3. Message Series - D
4. Corners may be square or rounded when base material is plywood but borders shall be rounded as shown. When base material is metal, the corners and borders shall be rounded.
5. Modify the message as required.



7

7

SIZE	A	B	C	D	E	F	G	H	I	J	K	L	M	N	O	P	Q	R	S	T	U	V	W	X	Y	Z	Area sq. ft.
1																											
2S	48	30	1 3/8	1/2	5/8	8	5	4	13 1/4	13 1/2	19	14	15	13													10.0
2M	48	30	1 3/8	1/2	5/8	8	5	4	13 1/4	13 1/2	19	14	15	13													10.0
3	48	30	1 3/8	1/2	5/8	8	5	4	13 1/4	13 1/2	19	14	15	13													10.0
4	48	30	1 3/8	1/2	5/8	8	5	4	13 1/4	13 1/2	19	14	15	13													10.0
5	48	30	1 3/8	1/2	5/8	8	5	4	13 1/4	13 1/2	19	14	15	13													10.0

STANDARD SIGN
R11-2

WISCONSIN DEPT OF TRANSPORTATION

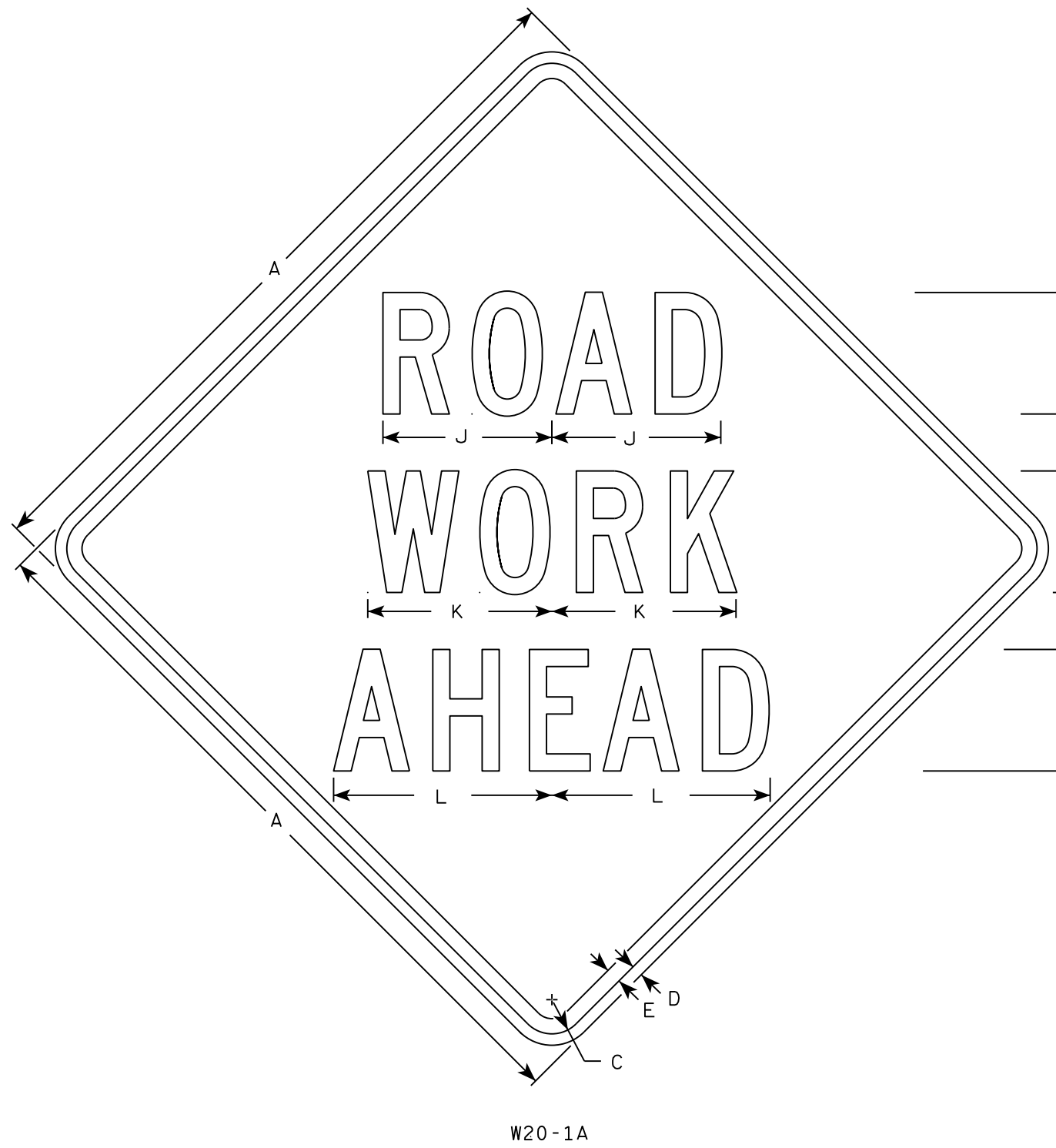
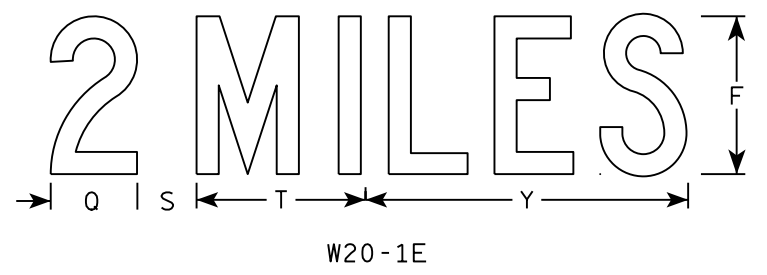
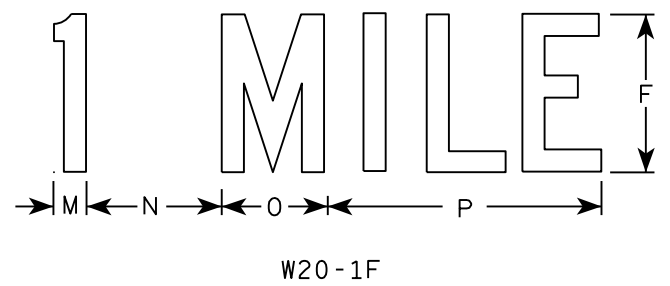
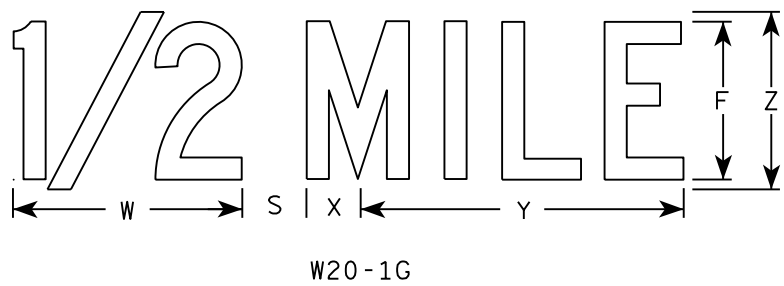
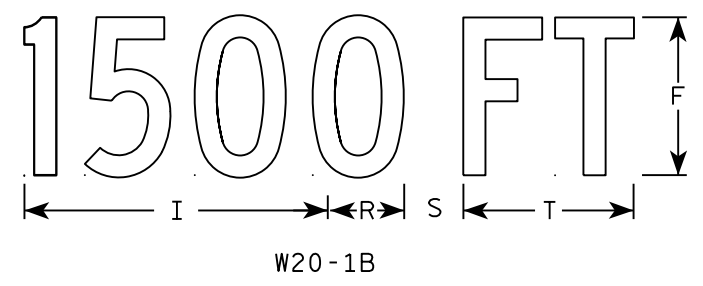
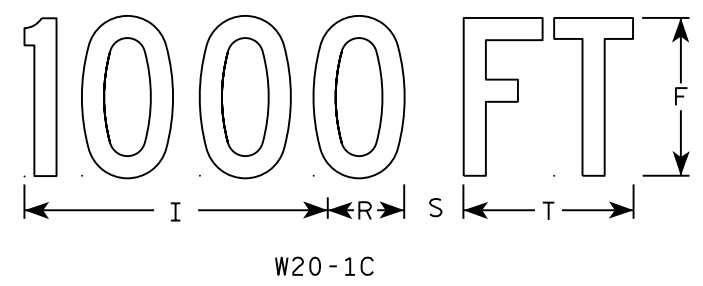
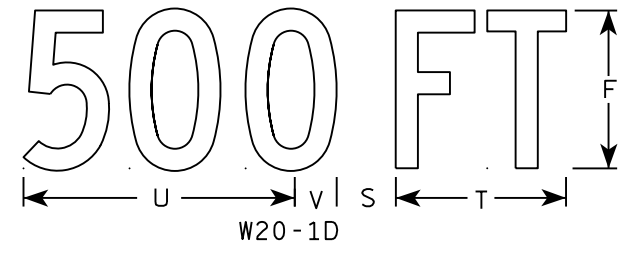
APPROVED *Matthew R. Rauch*
For State Traffic Engineer

DATE 4/1/11 PLATE NO. R11-2.10

PROJECT NO: _____ HWY: _____ COUNTY: _____ SHEET NO: _____ E

NOTES

1. Sign is Type II - Type F Reflective
2. Color:
Background - Orange
Message - Black
3. Message Series - C
4. Corners may be square or rounded when base material is plywood but borders shall be rounded as shown. When base material is metal, the corners and borders shall be rounded.

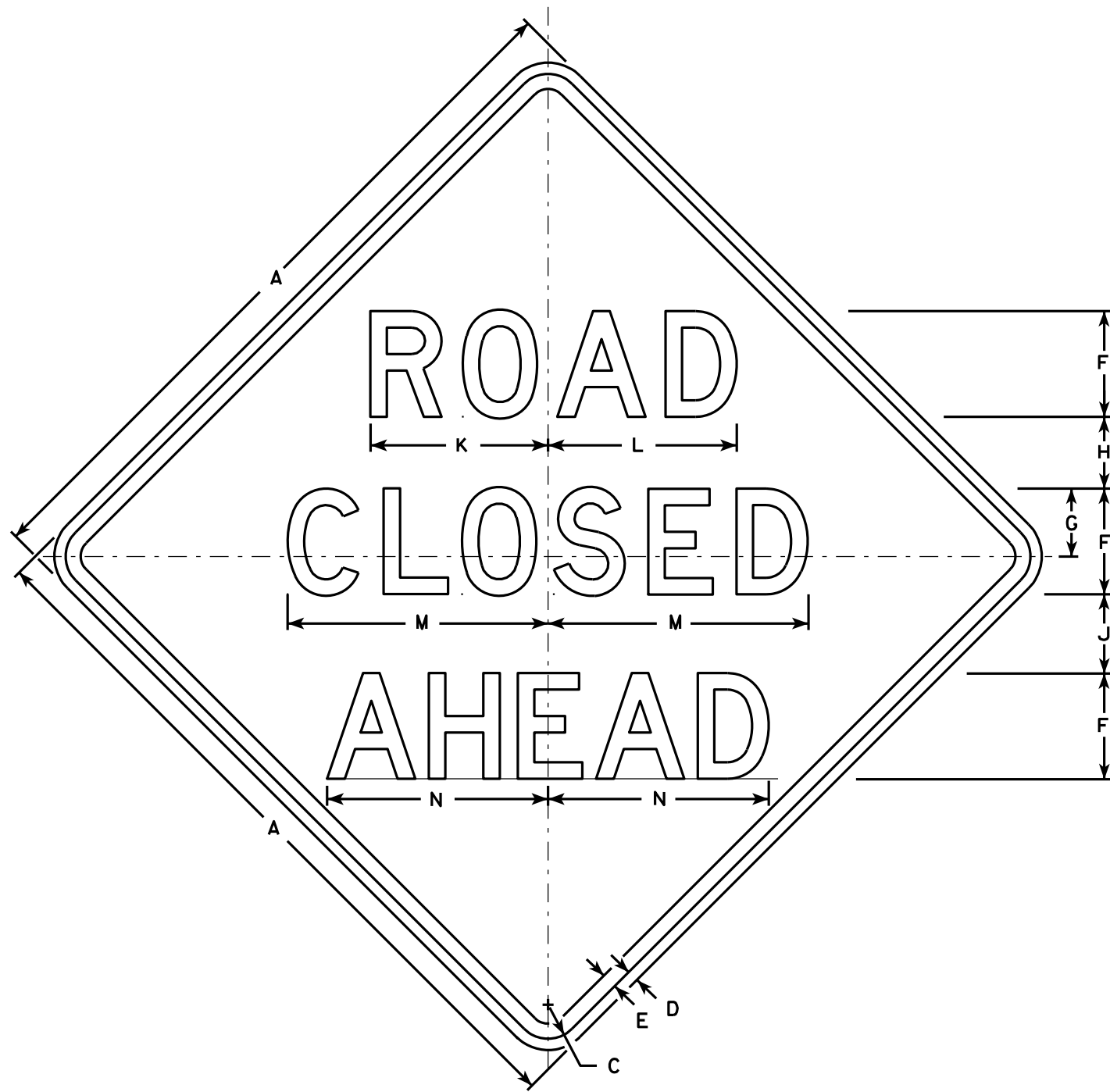


W20-1A

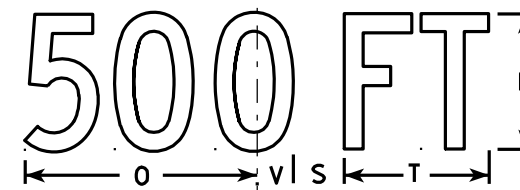
7

SIZE	A	B	C	D	E	F	G	H	I	J	K	L	M	N	O	P	Q	R	S	T	U	V	W	X	Y	Z	Area sq. ft.
1	36		1 3/8	1/2	5/8	5	2 5/8	3 1/4	10 1/8	7	7 5/8	8 7/8	1 1/8	4 1/2	3 1/2	9		2 1/2	2 1/4	5 5/8	9	1 3/8	8	1 3/4	10 3/4	6	9.0
2S	48		2 1/4	3/4	1	8	3 3/4	5 1/8	15 3/8	11 1/8	12 1/8	14 3/8	1 5/8	6 7/8	5 3/8	13 7/8	4 3/8	3 7/8	3	8 5/8	13 3/4	2 1/8	11 7/8	2 3/4	16 3/8	9	16.0
2M	48		2 1/4	3/4	1	8	3 3/4	5 1/8	15 3/8	11 1/8	12 1/8	14 3/8	1 5/8	6 7/8	5 3/8	13 7/8	4 3/8	3 7/8	3	8 5/8	13 3/4	2 1/8	11 7/8	2 3/4	16 3/8	9	16.0
3	48		2 1/4	3/4	1	8	3 3/4	5 1/8	15 3/8	11 1/8	12 1/8	14 3/8	1 5/8	6 7/8	5 3/8	13 7/8	4 3/8	3 7/8	3	8 5/8	13 3/4	2 1/8	11 7/8	2 3/4	16 3/8	9	16.0
4	48		2 1/4	3/4	1	8	3 3/4	5 1/8	15 3/8	11 1/8	12 1/8	14 3/8	1 5/8	6 7/8	5 3/8	13 7/8	4 3/8	3 7/8	3	8 5/8	13 3/4	2 1/8	11 7/8	2 3/4	16 3/8	9	16.0
5	48		2 1/4	3/4	1	8	3 3/4	5 1/8	15 3/8	11 1/8	12 1/8	14 3/8	1 5/8	6 7/8	5 3/8	13 7/8	4 3/8	3 7/8	3	8 5/8	13 3/4	2 1/8	11 7/8	2 3/4	16 3/8	9	16.0

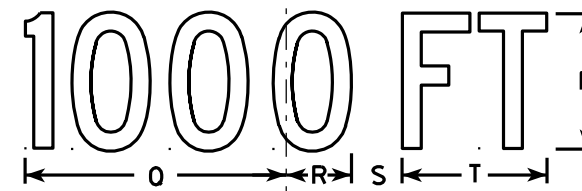
STANDARD SIGN
W20-1A, B, C, D, F & G
WISCONSIN DEPT OF TRANSPORTATION
APPROVED *Matthew R. Rauch*
for State Traffic Engineer
DATE 5/07/15 PLATE NO. W20-1.10



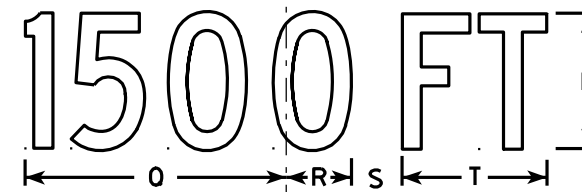
W20-3A



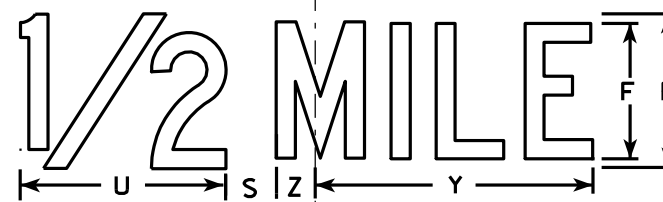
W20-3D



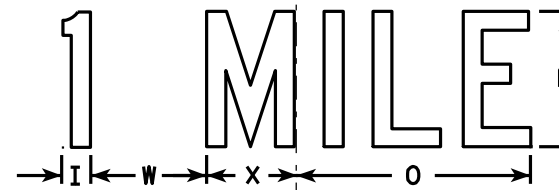
W20-3C



W20-3B



W20-3G



W20-3F

NOTES

1. Sign is Type II - Type F Reflective - reference WIS DOT Standard Specification for HIGHWAY and STRUCTURE CONSTRUCTION latest edition.
2. Color:
Background - Orange
Message - Black
3. Message Series - see note 5
4. Corners may be square or rounded when base material is plywood but borders shall be rounded as shown. When base material is metal, the corners and borders shall be rounded.
5. Lines 1 and 2 are Series D.
Line 3 is Series D for AHEAD and Series C for all other distances.

7

7

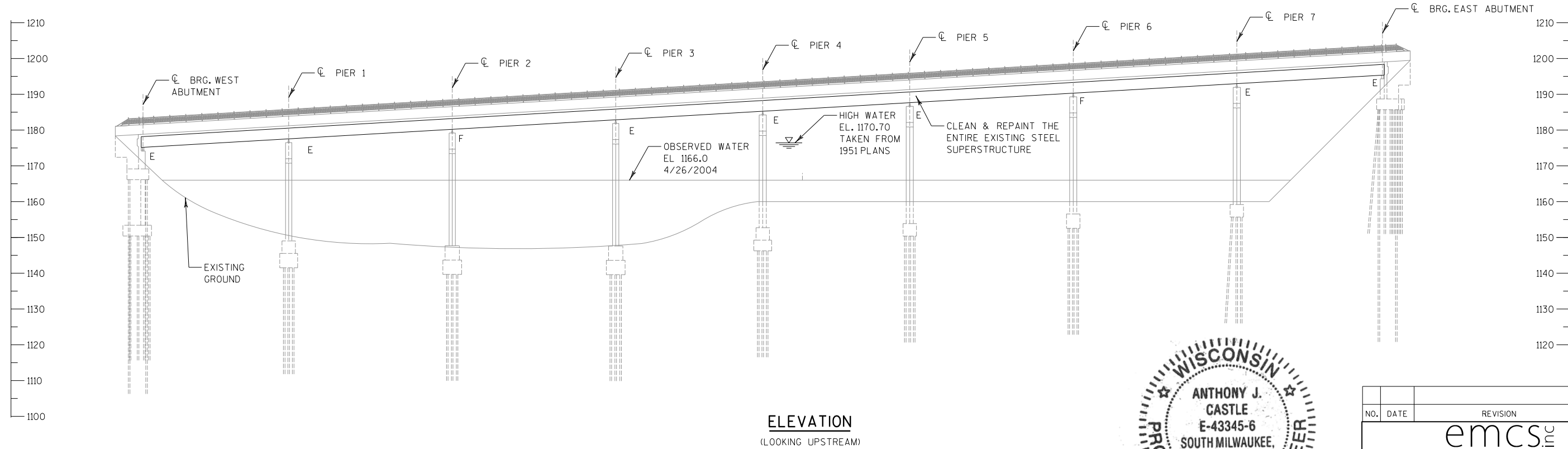
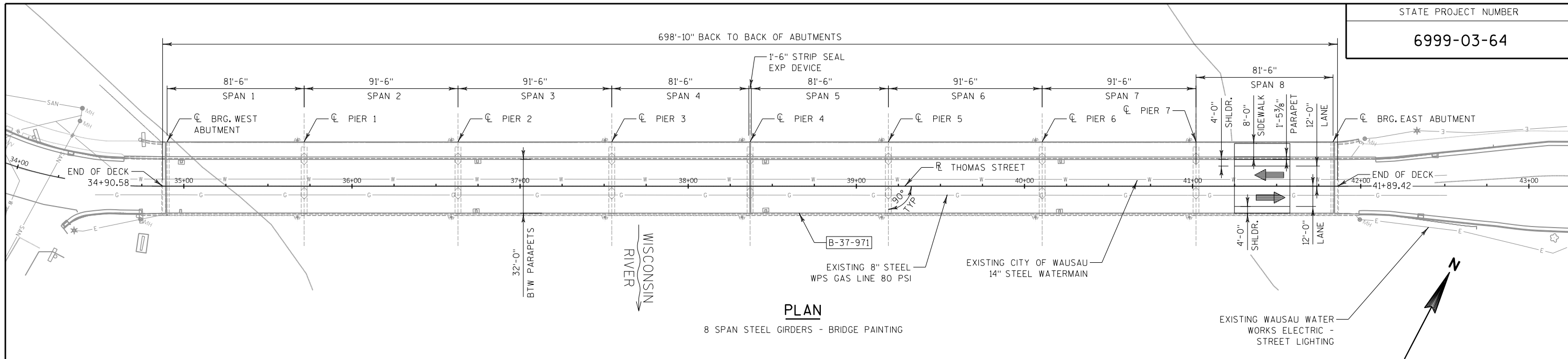
SIZE	A	B	C	D	E	F	G	H	I	J	K	L	M	N	O	P	Q	R	S	T	U	V	W	X	Y	Z	Area sq. ft.
1	36		1 5/8	5/8	3/4	5	3 3/8	3 1/2	1 1/8	4	8 3/8	8 7/8	12 1/2	11	9	6	10 1/8	2 1/2	1 7/8	5 5/8	8	1 3/8	4 1/2	3 1/2	10 3/4	1 3/4	9.0
2S	48		2 1/4	3/4	1	7	4 1/2	4 3/4	1 1/2	5 1/4	11 3/4	12 1/2	17 1/4	14 5/8	12	8	13 1/2	3 3/8	2 5/8	7 1/2	10 5/8	1 7/8	6	4 5/8	14 3/8	2 3/8	16.0
2M	48		2 1/4	3/4	1	7	4 1/2	4 3/4	1 1/2	5 1/4	11 3/4	12 1/2	17 1/4	14 5/8	12	8	13 1/2	3 3/8	2 5/8	7 1/2	10 5/8	1 7/8	6	4 5/8	14 3/8	2 3/8	16.0
3	48		2 1/4	3/4	1	7	4 1/2	4 3/4	1 1/2	5 1/4	11 3/4	12 1/2	17 1/4	14 5/8	12	8	13 1/2	3 3/8	2 5/8	7 1/2	10 5/8	1 7/8	6	4 5/8	14 3/8	2 3/8	16.0
4	48		2 1/4	3/4	1	7	4 1/2	4 3/4	1 1/2	5 1/4	11 3/4	12 1/2	17 1/4	14 5/8	12	8	13 1/2	3 3/8	2 5/8	7 1/2	10 5/8	1 7/8	6	4 5/8	14 3/8	2 3/8	16.0
5	48		2 1/4	3/4	1	7	4 1/2	4 3/4	1 1/2	5 1/4	11 3/4	12 1/2	17 1/4	14 5/8	12	8	13 1/2	3 3/8	2 5/8	7 1/2	10 5/8	1 7/8	6	4 5/8	14 3/8	2 3/8	16.0

STANDARD SIGN
W20-3A, B, C, D, F & G

WISCONSIN DEPT OF TRANSPORTATION

APPROVED *Matthew R. Rauch*
For State Traffic Engineer

DATE 3/18/11 PLATE NO. W20-3.7



DESIGN DATA

LIVE LOAD:
DESIGN LOADING: H-20 (TAKEN FROM HSI, 04/11/2018)
INVENTORY RATING: HS-22 (TAKEN FROM HSI, 04/11/2018)
OPERATING RATING: HS-38 (TAKEN FROM HSI, 04/11/2018)
WISCONSIN STD. PERMIT VEHICLE (WIS-SPV) = 230 KIPS
(TAKEN FROM HSI, 04/11/2018)

TRAFFIC DATA

ADT = 14,800 (2019)
ADT = 16,200 (2039)
RDS = 30 MPH

LIST OF DRAWINGS

- GENERAL PLAN & ELEVATION
- CROSS SECTION

TOTAL ESTIMATED QUANTITIES

ITEM NO.	BID ITEMS	UNIT	TOTAL
517.1800.S	STRUCTURE REPAINTING RECYCLED ABRASIVE B-37-971	LS	1
517.4500.S	NEGATIVE PRESSURE CONTAINMENT AND COLLECTION OF WASTE MATERIALS B-37-971	LS	1
517.6001.S	PORTABLE DECONTAMINATION FACILITY	EACH	1

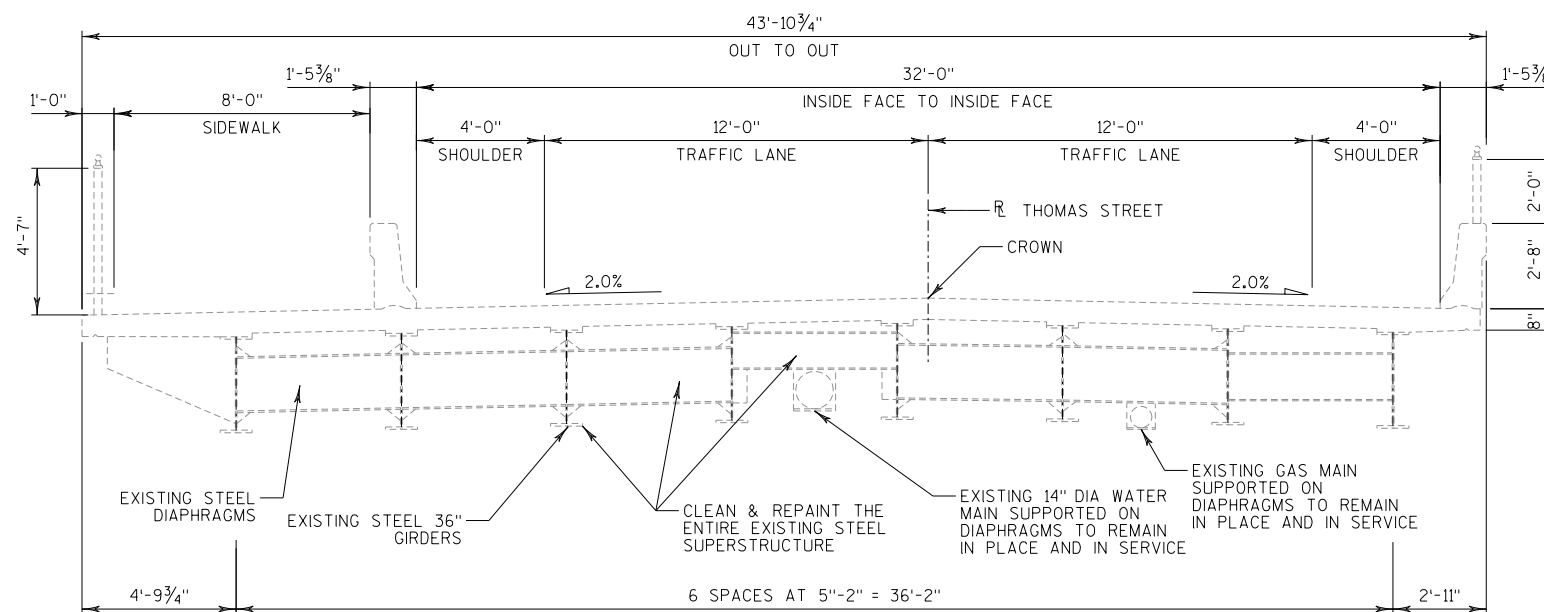
STRUCTURE DESIGN CONTACTS

BRIDGE OFFICE: WILLIAM DREHER (608) 266-8489
CONSULTANT: MIKE RADTKE (414) 347-1607

NO.	DATE	REVISION	BY
 1300 W. Canal Street, Suite 200 Milwaukee, WI 53233 414.347.1607 Fax 414.347.1347			
STATE OF WISCONSIN DEPARTMENT OF TRANSPORTATION ACCEPTED <i>William C. Dreher</i> SDR 08/27/18 CHIEF STRUCTURES DESIGN ENGINEER DATE			
STRUCTURE B-37-971			
THOMAS STREET BRIDGE OVER WISCONSIN RIVER			
COUNTY	MARATHON	CITY	WAUSAU
DESIGN SPEC.	REHABILITATION	N/A	
DESIGNED BY	EGL	DESIGN CK'D.	JRM
DRAWN BY	EGL	PLANS CK'D.	JRM
GENERAL PLAN & ELEVATION			SHEET 1 OF 2

8

8



CROSS SECTION THRU BRIDGE
(LOOKING EAST)

8

GENERAL NOTES

DRAWINGS SHALL NOT BE SCALED.

THE EXISTING STRUCTURE B-37-971, IS AN 8 SPAN, STEEL GIRDER STRUCTURE WITH AN OVERALL WIDTH OF 43'-10 3/4" AND AN OVERALL LENGTH OF 698'-10".

ALL EXPOSED STEEL SURFACES UNDERNEATH THE BRIDGE ARE TO BE CLEANED AND PAINTED. THE SURFACES INCLUDE GIRDERS, INTERMEDIATE DIAPHRAGMS, BEARINGS, UTILITY HANGERS AND CONNECTIONS. THE COLOR FOR FINISH COATING SHALL BE GRAY, FEDERAL COLOR NO. 26293.

DIMENSIONS SHOWN ARE BASED ON ORIGINAL STRUCTURE PLANS.

FOR STAGING DETAILS SEE ROADWAY PLANS.

8

NO.	DATE	REVISION	BY
STATE OF WISCONSIN DEPARTMENT OF TRANSPORTATION			
STRUCTURE B-37-971			
DRAWN BY		EGL	PLANS CK'D. JRM
CROSS SECTION			SHEET 2 OF 2

Notes



Wisconsin Department of Transportation

Dedicated people creating transportation solutions through innovation and exceptional service.

<http://www.dot.wisconsin.gov>